



GLASSCRAFTERS INC.

GLASSCRAFTERS, INC  
11 York Av., West Caldwell, NJ 07006

1+(800) 233-7362 (F) 1+(888) 233-7362  
sales@glasscraftersinc.com

## The Chelsea Collection

### Illuminated Wall Mirrors Installation Instructions

Congratulations on your purchase of Americas finest Mirrored Cabinet Accessories by GlassCrafters, Inc. World class engineering and state of the art design will enable you to enjoy your wall mirror & cabinet for many years to come. We realize that the marketplace offers many choices and we thank you for selecting GlassCrafters for your bath mirror and cabinet needs.

To insure proper installation in complete compliance with your warranty, we recommend installation by a professional installer.

#### Frameless and Framed Illuminated Mirrors 24"x 30", 24"x 36" ; 36"x 36"

*TRIBECA Frames available in seven finishes: Polished Chrome (Plated), Polished Chrome (Anodized), Polished Nickel (Plated), Polished Nickel (Anodized), Brushed Nickel (Anodized), Satin Brass (Anodized), Matte black (Powder Coated)*



#### **WARNING**

##### **All GLASSCRAFTERS**

**Illuminated Mirrors must be wired to a Class A 120V AC 15-20 Amp GFCI circuit (Ground Fault Circuit Interrupter) when used in bathrooms and all other locations required by the National Electric Code.**

**This unit's electrical connections must be made by a Licensed Electrician in a manner that conforms to the National Electric Code.**

Please use extreme care while unpacking and handling your GlassCrafters' Decorative Wall Mirror & Accessories. Report any damage immediately to our GlassCrafters' customer service team at 800-233-7362, Monday thru Friday from 8:00 am to 5:00 pm (EST)

# The Chelsea Collection

## Frameless and Framed Illuminated Mirrors

The following instruction sheets include the ALL FRAMLESS & FRAMED 24", 30" AND 36" MODELS

Unpack all parts carefully and protect components during installation.

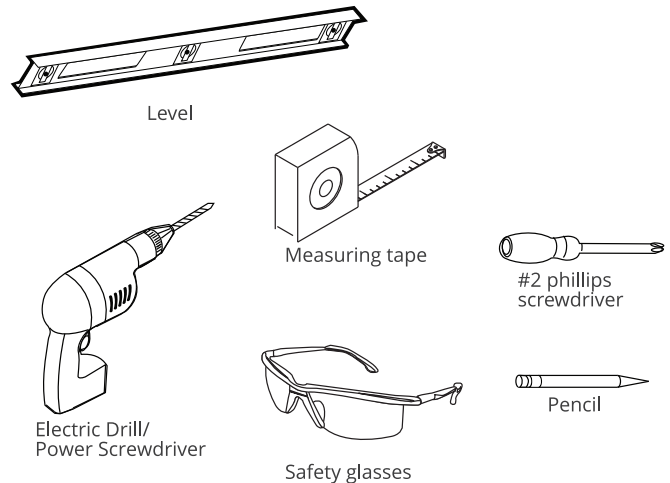
Carefully review all parts and read the installation instruction before you start.

7/11/0020

### Tools Required for Installation

GlassCrafters recommends the following tools to properly and safely install your Illuminated Mirror.

- |  |                                  |
|--|----------------------------------|
| A. Safety Glasses -- should be worn at all times | D. #2 Phillips Head Screw Driver |
| B. Tape Measure                                  | E. Power Screw Driver            |
| C. Level   |                                  |



### IMPORTANT SAFETY INSTRUCTIONS

When using the Illuminated Mirrors, basic precautions should always be followed, including the following:

**Read all instructions before using.**

**BEFORE CLEANING ALWAYS SWITCH OFF THIS APPLIANCE.**

**DANGER** - To reduce the risk of electric shock:

1. TURN POWER OFF at service panel before working on wiring or to unmount and disconnect the unit.
2. DO NOT SPRAY LIQUID CLEANERS on the Mirrors. For cleaning the mirror, we recommend using "ammonia free" Sprayway brand glass cleaner, which is available at a variety of retail outlets. To clean, apply Sprayway brand glass cleaner to a clean cloth. [www.spraywayinc.com/content/glass-cleaner](http://www.spraywayinc.com/content/glass-cleaner)

**WARNING:**

**Any servicing is to be performed by an authorized service representative.**

**The unit has no user serviceable parts.**

3. Supervision is required when the appliance is used by children or disabled persons.
4. Use this appliance only for its intended use as described in these instruction. Do not use or modify in any way not recommended by the manufacturer.
5. Never operate this appliance if it has a damaged cord; if it is not working properly; if it has been dropped or damaged;

or submerged in water. Return the appliance to a service center for inspection and repair.

6. Where Applicable: Keep the cord away from heated surfaces.
7. Where Applicable: Never operate the appliance with the air openings blocked. Keep the air opening free of lint, hair and dust. Never insert any tool or object into any opening in the appliance.
8. Do not use outdoors.
9. Where Applicable: Do not operate where aerosol (spray) products are being used or where oxygen is being administered.

**WARNING:**

**All GLASSCRAFTERS Illuminated Mirrors must be wired to a Class A 120V AC 15-20 Amp GFCI circuit (Ground Fault Circuit Interrupter) when used in bathrooms and all other locations required by the National Electric Code.**

**SAVE THESE INSTRUCTIONS**

**USE WITH DIMMER SWITCH.**

**Glasscrafters' products work best with these recommended dimmer switches:**

•Maestro® C•L® Dimmer from LUTRON®, MODEL # MACL -153M  
<http://www.lutron.com/TechnicalDocumentLibrary/369613a.pdf>

•DIVA® C•L® Dimmer from LUTRON®, MODEL # DVCL -153P  
<http://www.lutron.com/TechnicalDocumentLibrary/369682.pdf>

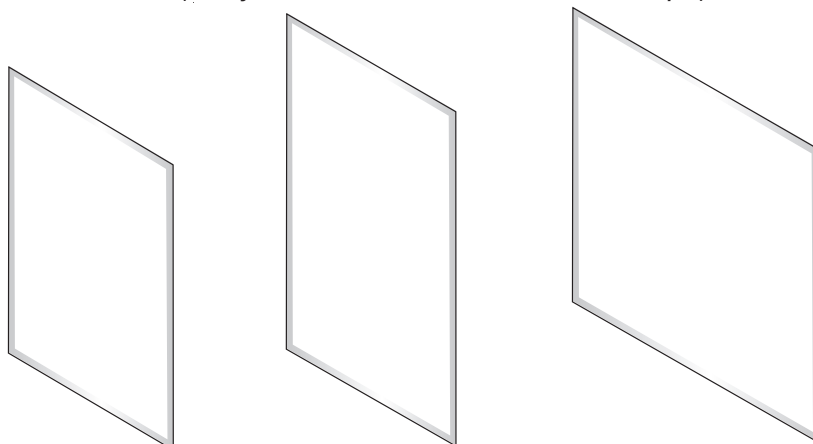
It is recommended that the dimmer be within reach of your mirror so you can adjust the brightness.

For on/off (no dimmer) operation, a standard wall switch may be substituted in place of the the dimmer.

**ILLUMINATED MIRROR SIZES**

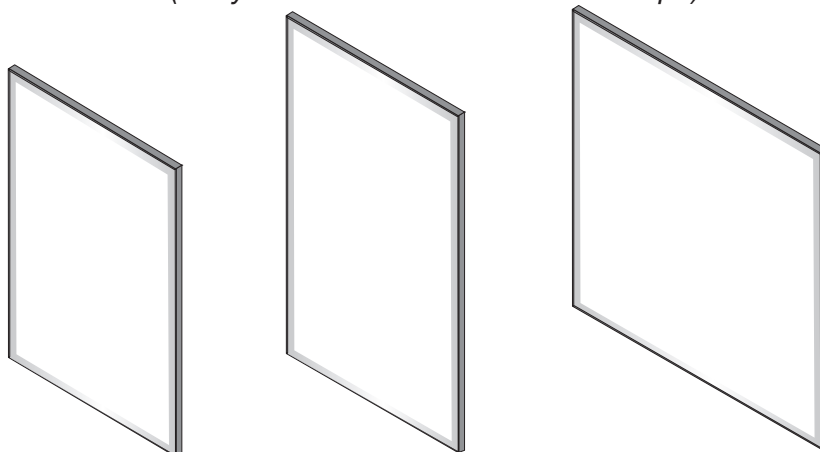
**FRAMELESS — 24" x 30"\*; 24" x 36"\*; 36" x 36"**

(\*May be installed Portrait or Landscape)



**FRAMED — 24" x 30"\*; 24" x 36"\*; 36" x 36"**

(\*May be installed Portrait or Landscape)

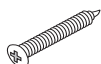


**PARTS FOR INSTALLATION**

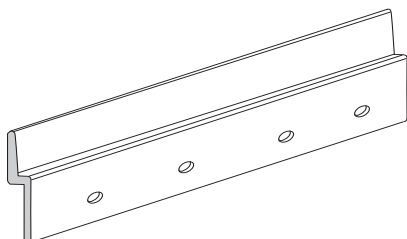
**Frameless Mirror "Z" Bracket**



Wall Anchor  
D8 x 36  
(4)



Wall Screw  
ST 4.2 x 45  
(4)

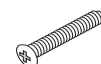


"Z" Bracket (not to scale)

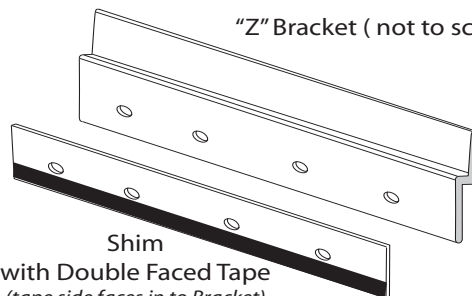
**Framed Mirror "Z" Bracket with Shim**



Wall Anchor  
D8 x 36  
(4)



Wall Screw  
ST 4.2 x 45  
(4)



"Z" Bracket (not to scale)

Shim  
with Double Faced Tape  
(tape side faces in to Bracket)

24"x30", Z bar — 400mm (15.74")  
24"x36", Z bar — 400mm (15.74") or  
for Landscape — 500mm (19.68")  
36"x36", Z bar on wall is 600mm (23.62")

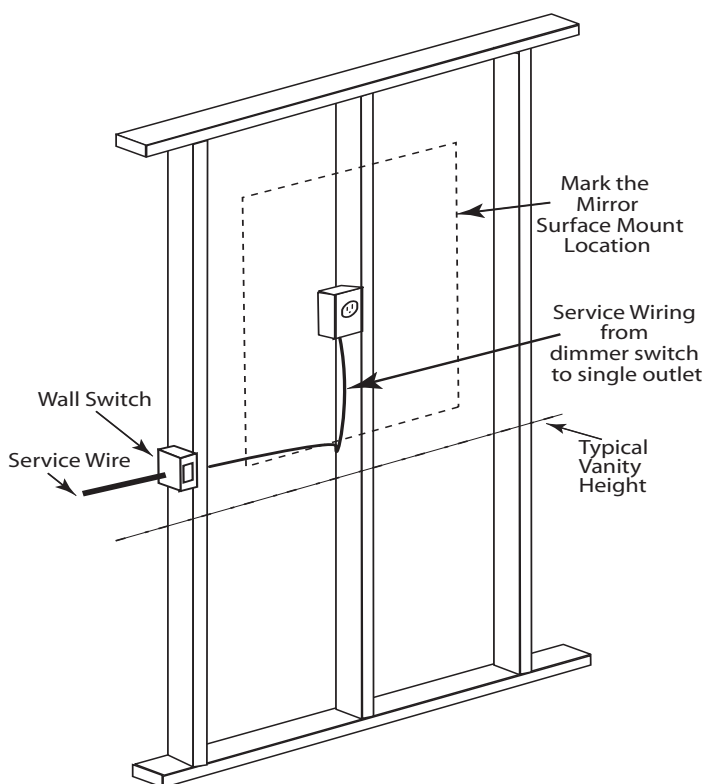
## ELECTRICAL WIRING AND OUTLET LOCATION

### SWITCH OFF THE ELECTRICAL SUPPLY TO THE CIRCUIT BEFORE BEGINNING.

Unit is designed to be installed in a lighting circuit with a dimmer switch. Pre-wire as shown or run new wire from the new dimmer switch, which is dedicated to just this unit's operation. (120V), 14 Guage AWM).

The new outlet must be planned to the proper location behind the mirror so that the 90° plug from the unit installs easily without any tension on the cord. The extra cord should lay flat within the recess in the back of the unit.

(See page 5 for Best Location of Outlet)



**This unit's electrical connection from the breaker box to the dimmer switch to the wall outlet must be made by a Licensed Electrician in a manner that conforms to the National Electric Code.**

### USE WITH DIMMER SWITCH.

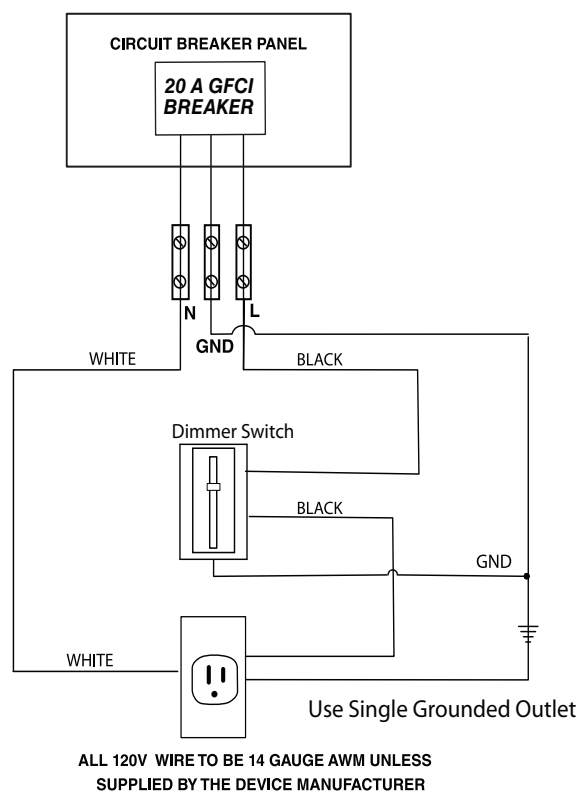
**Glasscrafters' products work best with these recommended dimmer switches:**

•Maestro® C-L® Dimmer from LUTRON®, MODEL # MACL -153M  
<http://www.lutron.com/TechnicalDocumentLibrary/369613a.pdf>

•DIVA® C-L® Dimmer from LUTRON®, MODEL # DVCL -153P  
<http://www.lutron.com/TechnicalDocumentLibrary/369682.pdf>

It is recommended that the dimmer be within reach of your mirror so you can adjust the brightness.

For on/off (no dimmer) operation, a standard wall switch may be substituted in place of the the dimmer.



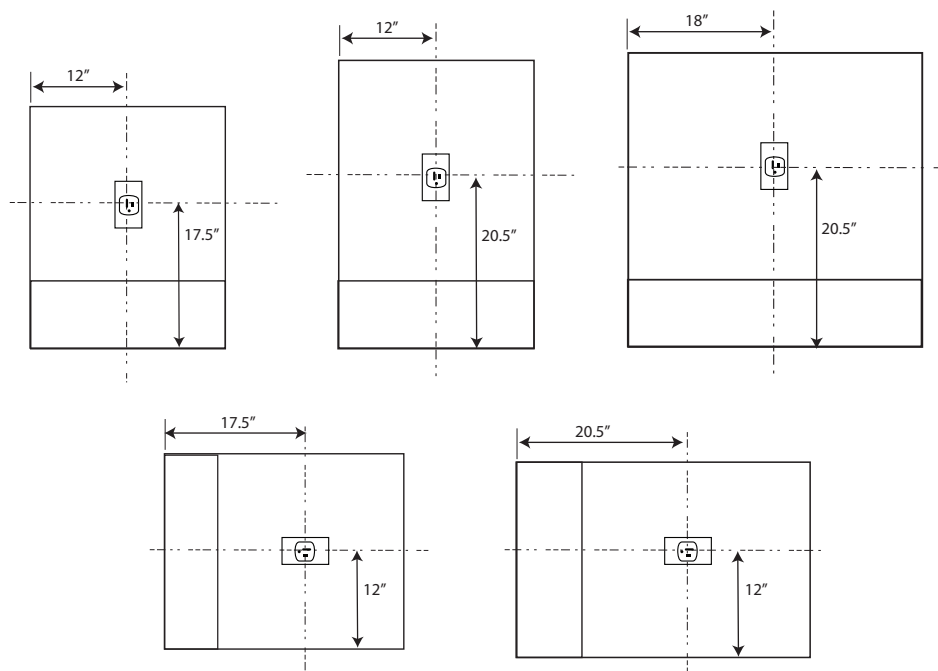
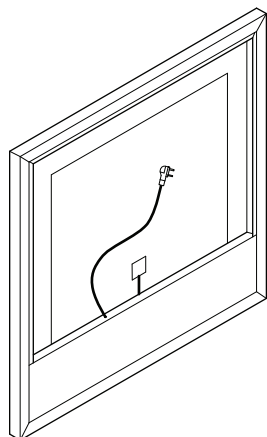
**SPECIAL NOTE: NEVER use this appliance with a three prong adapter.**

**ETL Certified: Conforms to UL 962**

## ELECTRICAL WIRING AND OUTLET LOCATION

**STEP 1** — Measure for the Mirror location to determine the location of the new outlet. Mark left and right. The bottom of the mirror should be at least 6 inches above the surface of any vanity sink.

Back view of the units showing vertical center line. Always try to locate the outlet in the center of the unit placed above the marked base line of the unit as shown.



**STEP 2** — Run the new electric service from the dimmer switch to the location for the outlet (as shown on page 4). The new outlet must be planned to the proper location behind the mirror so that the 90° plug from the unit installs easily without any tension on the cord. The extra cord should lay flat within the recess in the back of the unit.

## DETERMINE THE LOCATION OF THE "Z" BRACKET

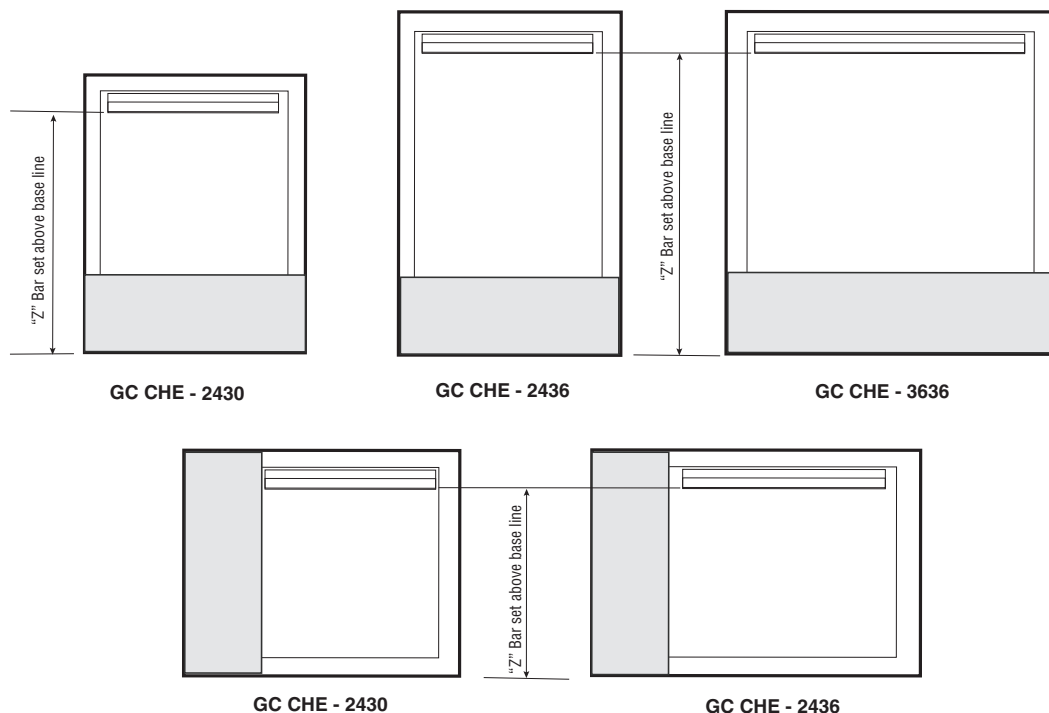
**TABLE 1:  
BASE LINE OF  
THE "Z" BRACKET**

**FRAMELESS: above unit base**

- 30" high — 26.75"
- 36" high — 32.75"
- Landscape format:  
24" high — 20.75"

**FRAMED: above unit base**

- 30" high — 26.875"
- 36" high — 32.875"
- Landscape format:  
24" high — 20.875"



Reminder: the Z bracket for the **Framed models** must use the shim supplied to provide the proper clearance for the Hanger to slide into the "Z" bracket.

## INSTALLATION OF THE MIRROR

**STEP 3** — Confirm that installation marks are level. Inspect the wall for imperfections and determine that there are no water, drain or vent pipes or electrical wiring in the areas to be drilled for the wall “Z” bracket. Measure the proper location for the “Z” bracket from the base line mark in accord with the measurements in TABLE 1 on page 5.

Affix the Shim as supplied (**for Framed Models**). Hold the “Z” bracket on the wall with the level and mark the holes. Wear eye protection, drill the required holes using a

masonry bit for tile. Install the Wall anchors. Screw into place with the screws supplied.

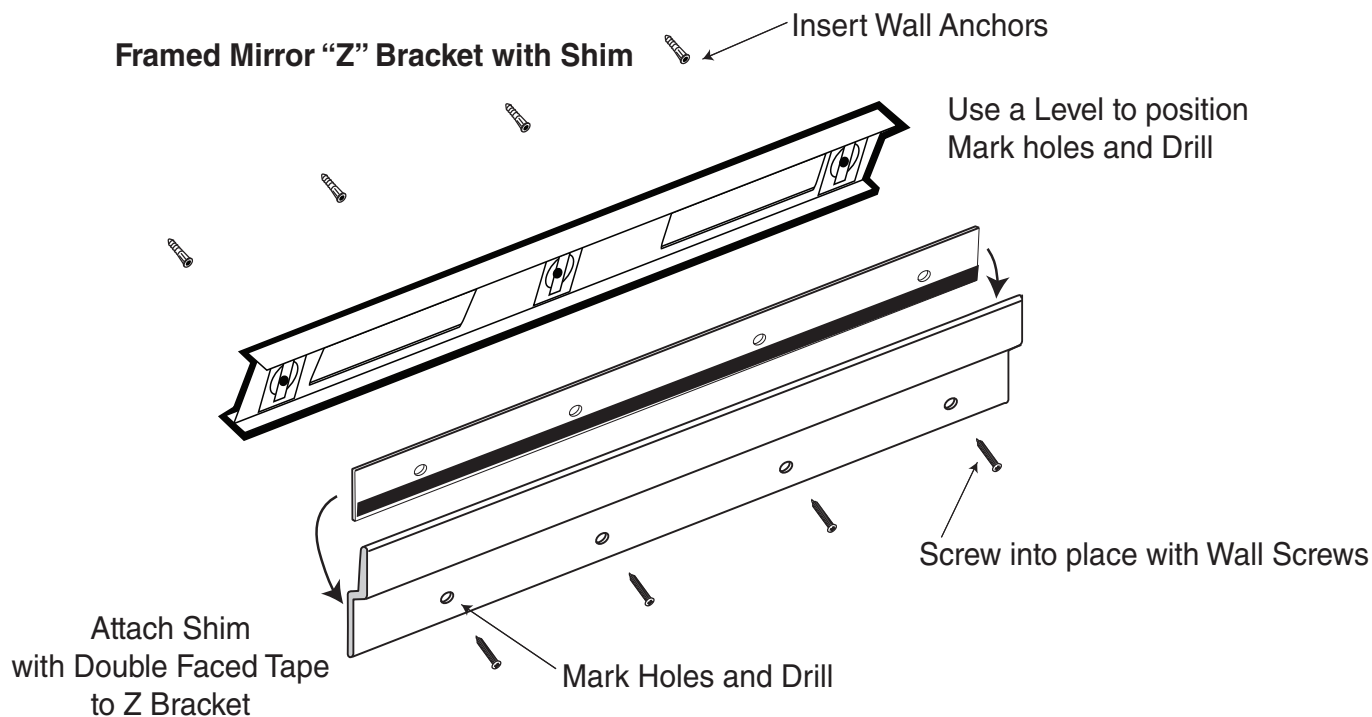
Note: the wall anchors and screws are engineered to hold the weight of the units.

**DO NOT SUBSITUTE OTHER PARTS.**

24" x 30", net weight of mirror is 7.9kgs / 17.4 lbs

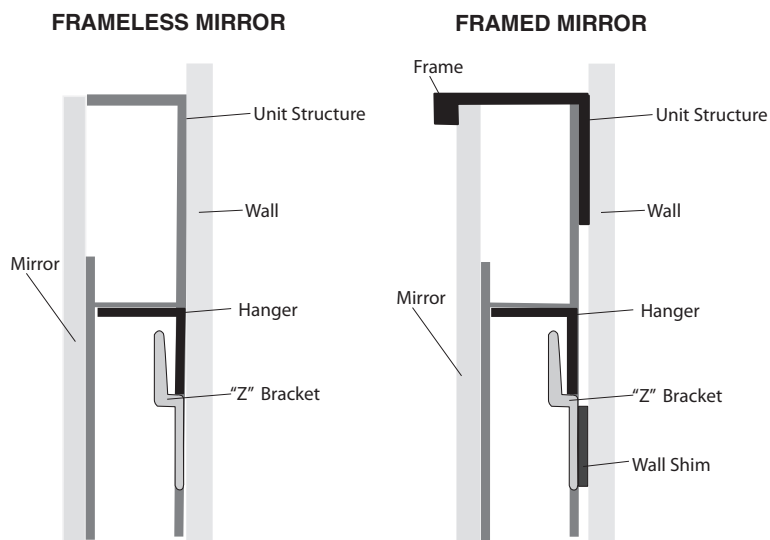
24" x 36", net weight of mirror is 9.36kgs / 20.6 lbs

36" x 36", net weight of mirror is 13.2kgs / 29.1 lbs



Section view showing the “Z” Bracket as used in the **Frameless** and the **Framed** Models.

The extra thickness of the Frame requires the Shim to offset the “Z” Bracket to engage the Hanger that is factory installed inside the Frame.

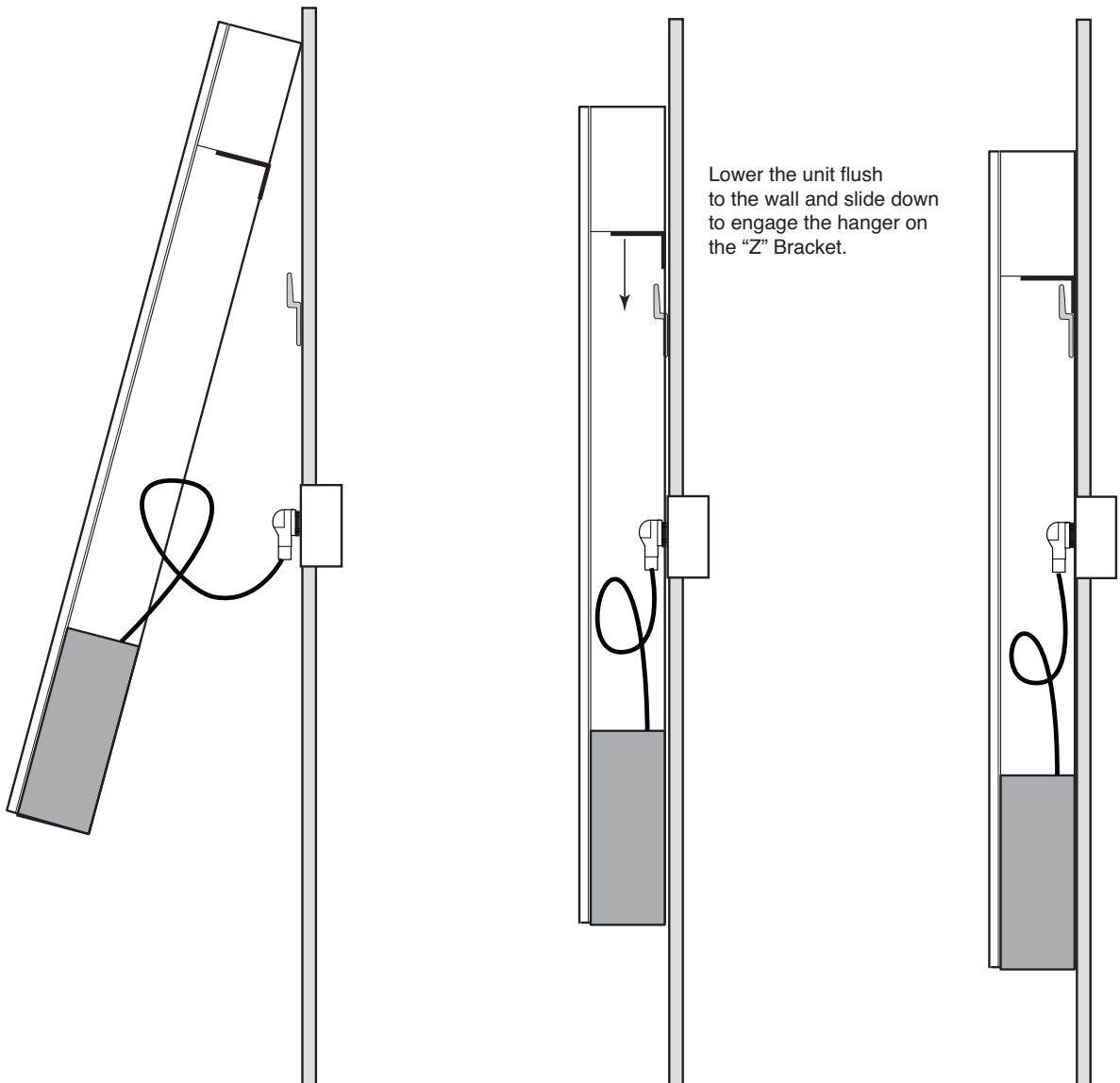




## INSTALLATION OF THE MIRROR

**STEP 4** — Hold the Mirror in the proper orientation and rest the top against the wall.  
\*(Note for safety it is suggested that one person hold the mirror while the other reaches behind and plugs in the unit. Angle it as close to the wall as needed so that the cord is not under tension and you can easily plug it into the new

outlet. Feed the excess wire back into the shallow space within the back of the mirror while moving the mirror flush to the wall just above the “Z” bracket. Slide the mirror down to engage the Hanger in the “Z” bracket. Adjust the mirror position for left to right.



**STEP 5** — Turn the electrical circuit on.

Test the light and defogger unit using the dimmer switch.

- Be sure the unit is off after each use.
- Do not leave on for prolonged periods.
- Never cover the mirror.
- Clean with a soft dry cloth only when the unit is turned off.

# Chelsea Illuminated Mirror Models

## Illuminated Mirrors with Defogger

### Frameless

#### Catalog Number

GCCHE-2430-FM— Satin Chrome Anodized  
 GCCHE-2436-FM— Satin Chrome Anodized  
 GCCHE-3636-FM— Satin Chrome Anodized

### With Tribeca Frame

#### Metal Finish Code

**PC - Polished Chrome Plated**  
**PCA - Polished Chrome Anodized**  
**PN - Polished Nickel Plated**  
**PNA - Polished Nickel Anodized**  
**SB - Satin Brass Plated**  
**BN - Brushed Nickel Anodized**  
**IB - Black Iron Powder Coated**

Catalog Number	Metal Finish
GCCHE-2430-TR-PC	Polished Chrome
GCCHE-2430-TR-PCA	Polished Chrome Anodized
GCCHE-2430-TR-PN	Polished Nickel
GCCHE-2430-TR-PNA	Polished Nickel Anodized
GCCHE-2430-TR-BN	Brushed Nickel
GCCHE-2430-TR-SB	Satin Brass
GCCHE-2430-TR-IB	Iron Black

GCCHE-2436-TR-PC	Polished Chrome
GCCHE-2436-TR-PCA	Polished Chrome Anodized
GCCHE-2436-TR-PN	Polished Nickel
GCCHE-2436-TR-PNA	Polished Nickel Anodized
GCCHE-2436-TR-BN	Brushed Nickel
GCCHE-2436-TR-SB	Satin Brass
GCCHE-2436-TR-IB	Iron Black

GCCHE-3636-TR-PC	Polished Chrome
GCCHE-3636-TR-PCA	Polished Chrome Anodized
GCCHE-3636-TR-PN	Polished Nickel
GCCHE-3636-TR-PNA	Polished Nickel Anodized
GCCHE-3636-TR-BN	Brushed Nickel
GCCHE-3636-TR-SB	Satin Brass
GCCHE-3636-TR-IB	Iron Black

### Cleaning Recommendations:

If the mirror requires cleaning use a household liquid glass cleaner. Do not spray cleaner directly on the mirror, spray cleaner on a soft cloth or paper towel. Never use abrasive cleaner or cleanser containing ammonia. This may cause chemical damage to the mirror and void the warranty.

For cleaning the mirror, we recommend using ammonia free Sprayway brand glass cleaner, which is available at a variety of retail outlets. [www.spraywayinc.com/content/glass-cleaner](http://www.spraywayinc.com/content/glass-cleaner)



### WARRANTY

GlassCrafters, Inc. offers a Limited 3 Year Warranty on all illuminated mirrored products. GlassCrafters' warranty provides the original purchaser a guarantee that it will replace or at its own discretion repair products shown to have substantial defects in workmanship or materials. These claims must be filed with your dealer or professional installer and forwarded in writing to GlassCrafters within three years of the delivery date to the end user of the product. GlassCrafters shall not be responsible for any installation or removal costs. This warranty does not apply to the following, chemical or natural corrosion of the mirror. The use of abrasive cleaners or cleaners containing ammonia will cause chemical damage to the mirror, voiding this warranty.

The GlassCrafters' warranty does not cover product that is damaged in shipping, accidents in handling during installation or if the reported defects are a result of faulty installation, abuse, misuse, abnormal wear, poor maintenance, accident or repairs by service personnel other than the original professional installer as authorized by GlassCrafters. After the three

year period GlassCrafters shall not have any further obligation, expressed or implied including merchantability under the Limited Warranty.

GlassCrafters shall not have any liability for any consequential damages stemming from or in connection with the use per performance of this product. Prevailing state law on the limits of the implied warranty will apply.

The liability of GlassCrafters under any implied or expressed warranty, including merchantability, is expressly limited to the terms of this warranty. Any claim under this warranty must be made directly to the dealer of record.

Permission to return any merchandise under this warranty must be authorized in writing by GlassCrafters and must include prepaid shipping by the purchaser.



GLASSCRAFTERS, INC  
 11 York Av., West Caldwell, NJ 07006

1+(800) 233-7362 (F) 1+(888) 233-7362  
[sales@glasscraftersinc.com](mailto:sales@glasscraftersinc.com)