



GLASSCRAFTERS INC.

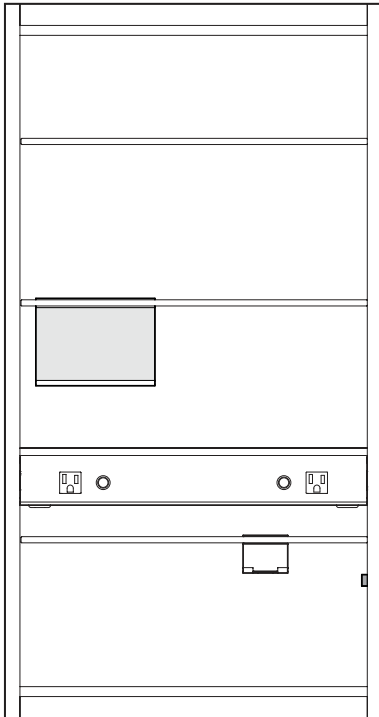
GLASSCRAFTERS, INC
11 York Avenue, West Caldwell, NJ 07006

1+(800) 233-7362 (F) 1+(888) 233-7362
sales@glasscraftersinc.com

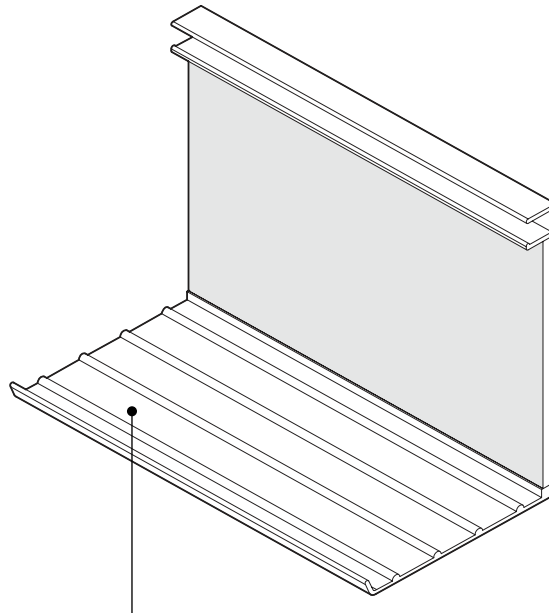
Mirrored Cabinet Accessories

for Customized Storage and Enhanced Functionality

The following instruction sheet is for the installation of these models: GCMCA-04-01, GCMCA-06-01

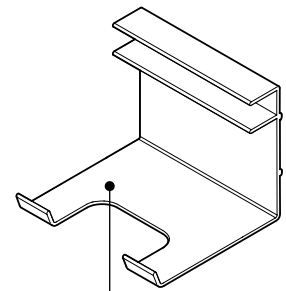


Example of accessory placement

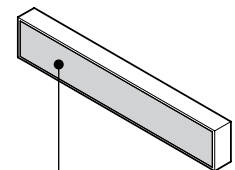


Cosmetic Shelf Accessory

- Eyeliner Pencils
- Brushes
- Mascara Containers

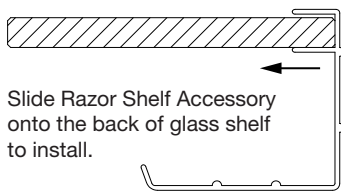


Razor Holder



Magnet

- Tweezers
- Clippers



Slide Razor Shelf Accessory onto the back of glass shelf to install.

(Side View)

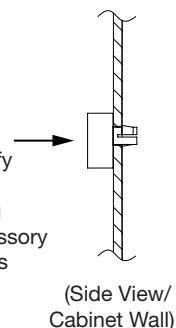


Slide Cosmetic Shelf Accessory onto the back of glass shelf to install.

(Side View)

INSTALL LAST

After glass shelves are installed, use available shelf pin holes to identify location. Remove adhesive tape backing and push Magnet Accessory into open shelf pin holes on side wall of cabinet to install.



(Side View/
Cabinet Wall)

**SAVE THESE INSTRUCTIONS
FOR FUTURE REFERENCE**

NOTE: Magnet Accessory **cannot** be repositioned after being installed.

Please use extreme care while unpacking and handling your GlassCrafters' Mirrored Cabinet Accessories. Report any damage immediately to our GlassCrafters' customer service team at 800-233-7362, Monday thru Friday from 8:00 am to 5:00 pm (EST).

Revised 10/2019