



GLASSCRAFTERS INC.

GLASSCRAFTERS, INC
193 Veterans Blvd., Carlstadt, NJ 07072

1+(800) 233-7362 (F) 1+(888) 233-7362
sales@glasscraftersinc.com

Mirrored Cabinet Installation Instructions

Congratulations on your purchase of Americas finest Mirrored Cabinet by GlassCrafters, Inc.

World class engineering and state of the art design will enable you to enjoy your cabinet for many years to come.

We realize that the marketplace offers many choices and we thank you for selecting

GlassCrafters for your Mirrored Cabinet needs.

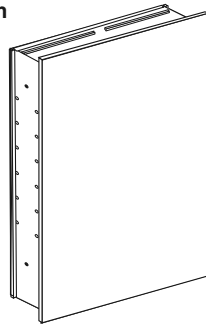
The following instruction sheets include the ALL MODELS listed below in both 4" deep and 6" deep Mirrored Cabinets.

To insure proper installation we recommend installation by a professional installer.

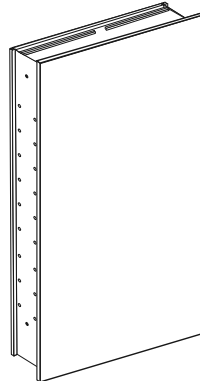
To view a video showing helpful tips on how to --

adjust our Cabinet Hinges
or
to install our Mirrored Side Kits,
please go to:
GlassCraftersMirroredCabinets.com
and navigate to the
cabinet product that
you are installing.

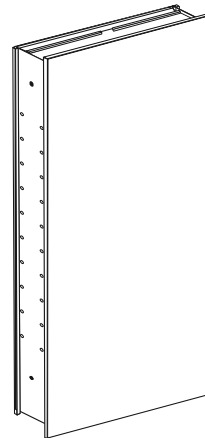
Simply click on the
installation tab
(located below the
product images)
to view our
installation videos.



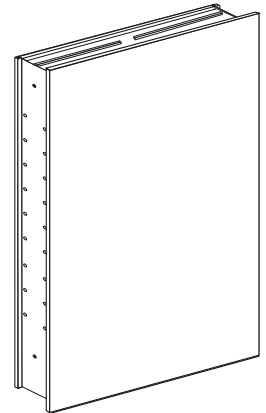
GC1624



GC1630

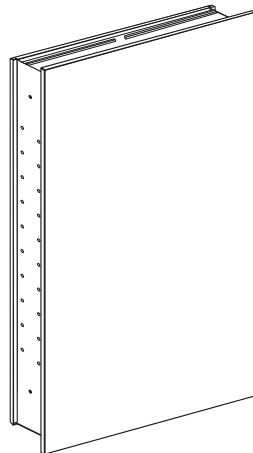


GC1636

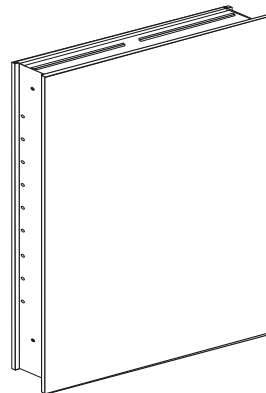


GC2030

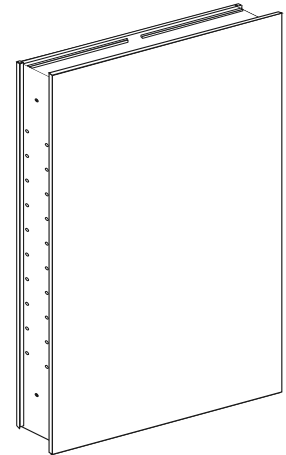
SAVE THESE INSTRUCTIONS
FOR FUTURE REFERENCE



GC2036



GC2430



GC2436

If your unit is an electrified unit you should have the GC Electric Option manual packed with your unit. If it is not available for installation go on line and download the product manual you need or contact your dealer.
ALL ELECTRIC UNITS REQUIRE INSTALLATION BY A LICENSED ELECTRICIAN.

Please use extreme care while unpacking and handling your GlassCrafters' Mirrored Cabinet. Report any damage immediately to our GlassCrafters customer service team at 800-233-7362, Monday thru Friday from 8:00 am to 5:00 pm (EST)

Mirrored Cabinet Installation -- Unpack all parts carefully and protect Glass and Mirror parts during installation.

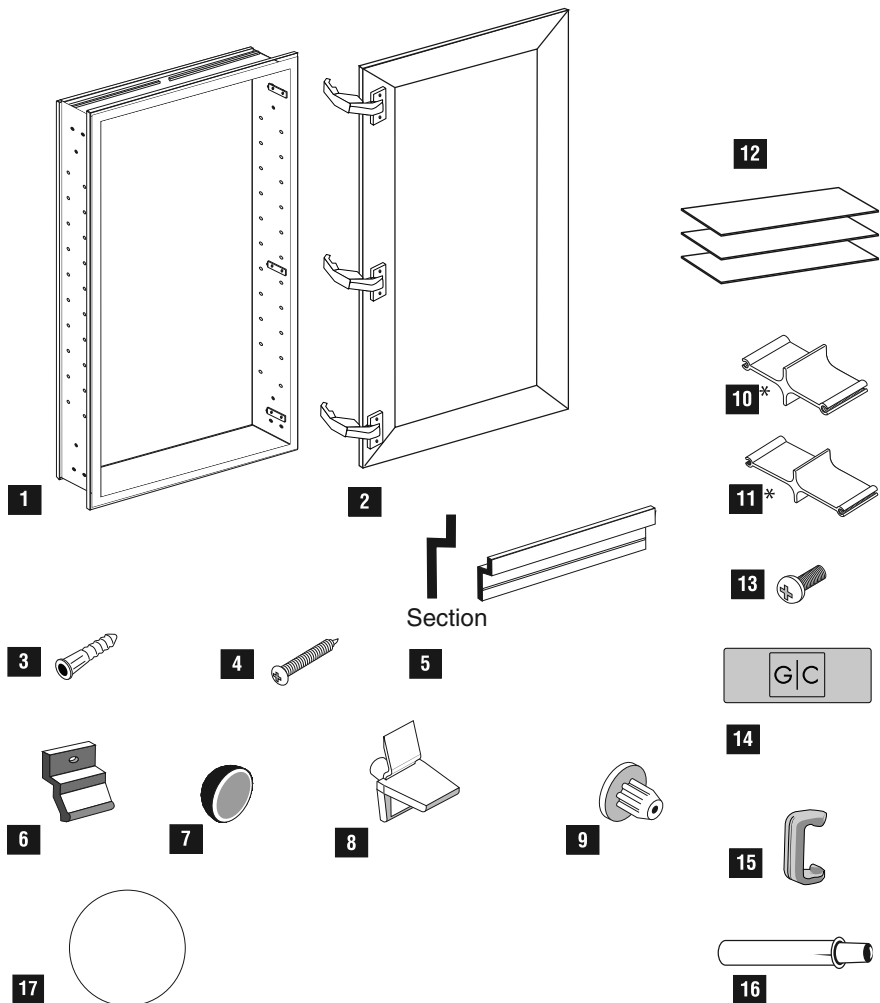
Index

Parts List for All Models.....2
 Determining the Rough Opening.....3
 Recessing the Cabinet4
 Combining two (2) or three (3) Cabinets5
 Surface Mount Cabinet.....6

Surface Mount Side Kit Installation.....7
 Glass Shelves.....8
 Door Installation and Adjustment.....9
 Limit Clips.....10
 Cleaning Recommendation8 & 11
 Parts Inventory by Model Number11-12
 Warranty12

Parts List

Carefully review all parts and read the installation instruction before you start.
 Please refer to pages 11 & 12 for the exact parts list and item counts for each model number.



- 1. Cabinet
- 2. Door, (boxed separately)
- 3. Plastic Wall Anchors
- 4. Wall Anchor Screws
- 5. Bottom Surface Mount Wall Bracket
- 6. Top Surface Mount Bracket
- 7. Screw Caps
- 8. Shelf Clips
- 9. Hole Plugs
- 10. Cabinet Connectors 4" deep*
- 11. Cabinet Connectors 6" deep*
- 12. Glass Shelves
- 13. Cabinet Connector Mounting Screws
- 14. Hinge Cover Name Plates
- 15. 130 Degree Limit Clips
- 16. Soft Close Cushion
- 17. 3X Magnification Mirror

Note: Allen wrench provided for Electric Option installation only.

* Special order

To insure proper installation in complete compliance with your warranty, we recommend installation by a professional installer.

Tools Required for Installation

GlassCrafters recommends the following tools to properly and safely install your Mirrored Cabinets.

- A. Safety Glasses -- should be worn at all times
- B. Tape Measure
- C. Level
- D. #2 Phillips Head Screw Driver

- E. Power Screw Driver
- F. Electric Drill
- G. 8mm 3/16" Masonry Drill Bit
- H. 7/32" Drill Bit
- I. Non Ammonia Household Glass Cleaner
- J. Soft Paper Towels

Determining the Rough Opening "RO" Dimension

Framing in new construction should follow these dimension. Standard 2x4 studs and 1/2" sheetrock are shown in the illustrations. For 6" deep models 2x6 studs are required or a semi-recessed application is necessary.

Model Number	Rough Opening Single Cabinet		Rough Opening Two (2) cabinets		Rough Opening Three (3) cabinets	
	Width	Height	Width	Height	Width	Height
GC1624	14 3/8"	23 3/8"	29 3/8"	23 3/8"	44 3/8"	23 3/8"
GC1630	14 3/8"	29 3/8"	29 3/8"	29 3/8"	44 3/8"	29 3/8"
GC1636	14 3/8"	35 3/8"	29 3/8"	35 3/8"	44 3/8"	35 3/8"
GC2030	18 3/8"	29 3/8"	37 3/8"	29 3/8"	56 3/8"	29 3/8"
GC2036	18 3/8"	35 3/8"	37 3/8"	35 3/8"	56 3/8"	35 3/8"
GC2430	22 3/8"	29 3/8"	45 3/8"	29 3/8"	68 3/8"	29 3/8"
GC2436	22 3/8"	35 3/8"	45 3/8"	35 3/8"	68 3/8"	35 3/8"

Single Cabinet "RO" Rough Opening formula: Overall cabinet width less 5/8" = Rough Opening

Two Cabinets "RO" Rough Opening formula: Overall cabinet width less 5/8" plus the overall width of the second added cabinet = Rough Opening

Three Cabinet "RO" Rough Opening formula: Overall cabinet width less 5/8" plus the overall width of the two added cabinets = Rough Opening

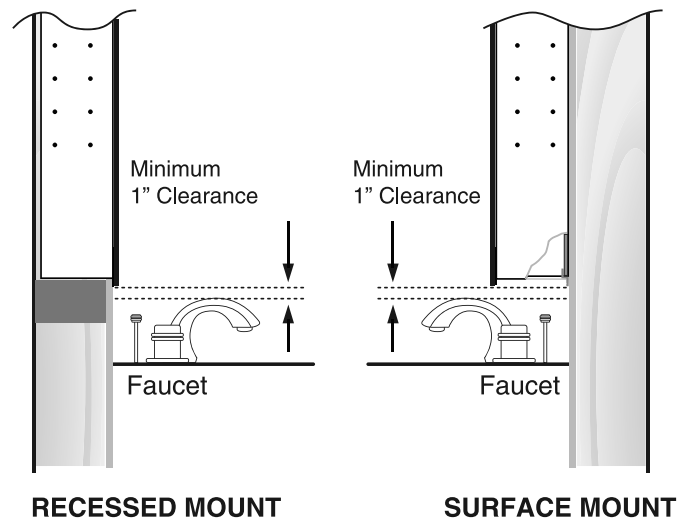
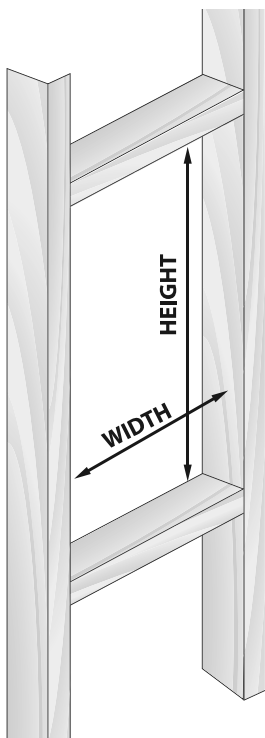
Example: Model GC1630 combined with Model GC2430 = 15" less 5/8" = 14 3/8" plus 23" = 37 3/8" R.O. width.

Height: overall cabinet height less 5/8" = R.O. Height.

Rough Opening:

Note: Cabinet installs over finished wall with sheetrock and/or tile finishes completed. 3/4" Flange on all sides of the cabinet will cover the remaining space in the R.O.

Important: Make sure you allow for a minimum of 1" clearance above any obstruction such as faucets, etc.



Installing a Recessed & Semi-Recessed Mirrored Cabinet

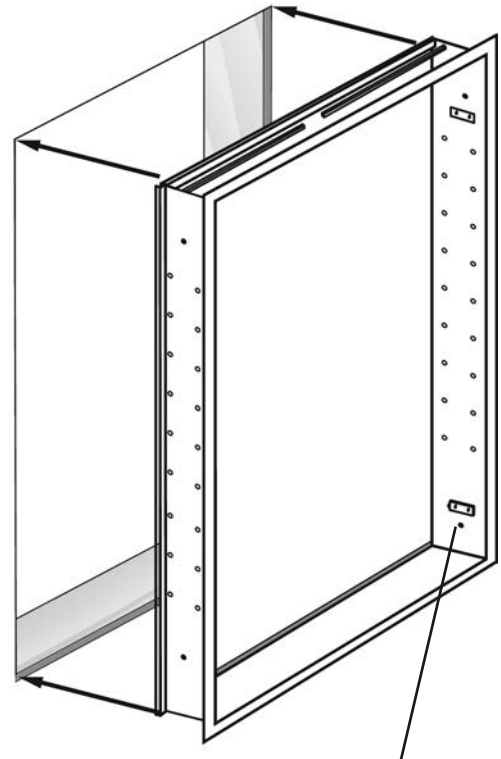
A. Determine the rough opening for the cabinet. Refer to "R.O." formula chart on page 3. Opening must be plumb and level.

B. Cabinet can be hinged on left or right. Simply flip the cabinet to change hinge location. For multiple cabinet units determine the hinge location for each unit before they are joined together and mark the top of each unit.

C. Insert cabinet in R.O. and center, Cabinet Flange covers any space in the R.O. around the cabinet and should cover the finished surfaces--Sheetrock and/or tile. Install the cabinet with four (4) #10 x 1 1/2" wood screws (supplied). Use the pre-punched holes above and below the hinge plates (as shown). Do not overtighten. Cover screws with four screw caps (part #434).

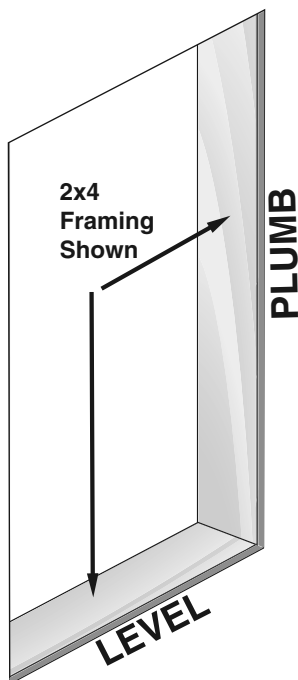
For Multiple Cabinets: Two or Three unit cabinets must be joined as shown on the facing page before installation. Note: Three cabinet units require an additional installation screw in the top center of the center unit. Drill an access hole in the cabinet and install an additional #10 x 1 1/2" wood screw. Cover the screws with four or five screw caps (part #434).

B

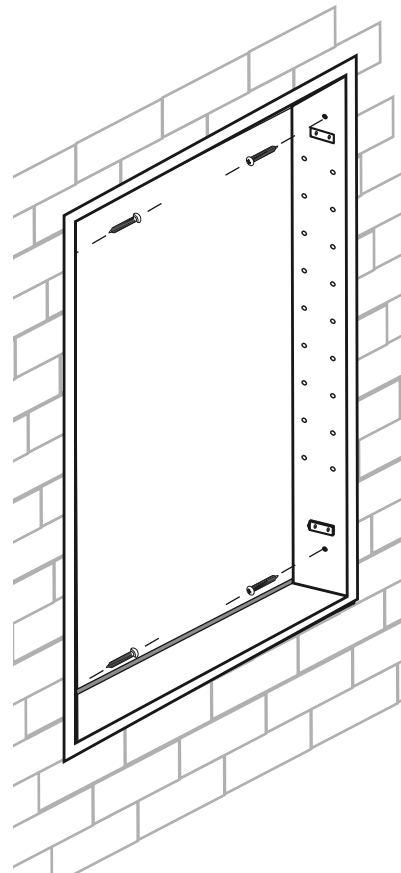


Hinge Plate shown for right hinged door.

A



C



Combining Two (2) or Three (3) Cabinet Units before Installation.

Any of the cabinets that are the same height may be joined to form one unit. Follow these instructions to create the final size unit before attempting installation.

- Be sure to determine the hinge side door swing location for each unit.
- Mark the top of each unit-- Left, Right or Center with the Hinge plates in the proper position.

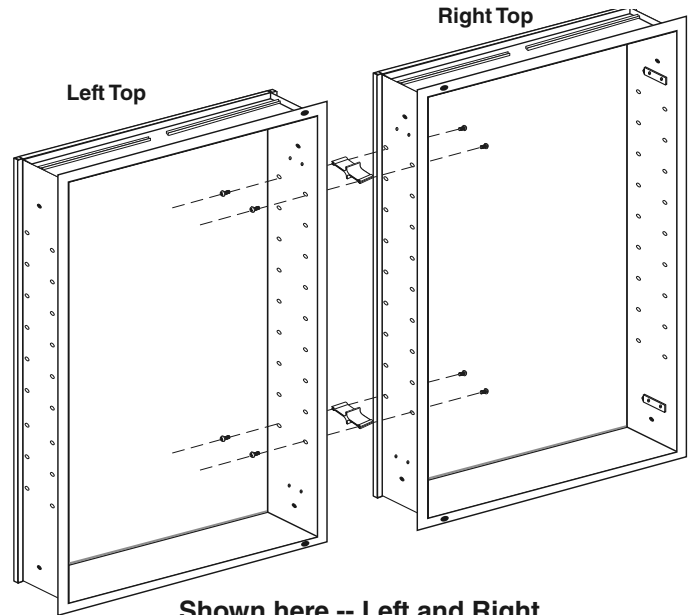
When the unit is fully assembled refer to "R.O." formula chart on page 3 to determine the R.O. required for the unit as assembled.

Assembling multiple cabinet units:

1. Place the units on a 2x4 or 2x6 of sufficient horizontal length to support all the units to be joined. Place 2" edge of the wood flat on the floor with the cabinet facing up with the bottom flush to the inside edge of the 2x4.
2. Install the Cabinet Connector (part #426 or 429) on the outside of the left hand cabinet. Use the pre-punched holes immediately above and below the hinge plate locations. Use screws 10-32 x 1/2" as supplied. (See Section #1)
3. Move the second cabinet into position so that the face flange of both units are aligned. Fix the cabinets together using screws 10-32 x 1/2" as supplied. (See Section #1).
4. If there is a third unit follow the steps above.

Parts required to join Two (2) Cabinets:

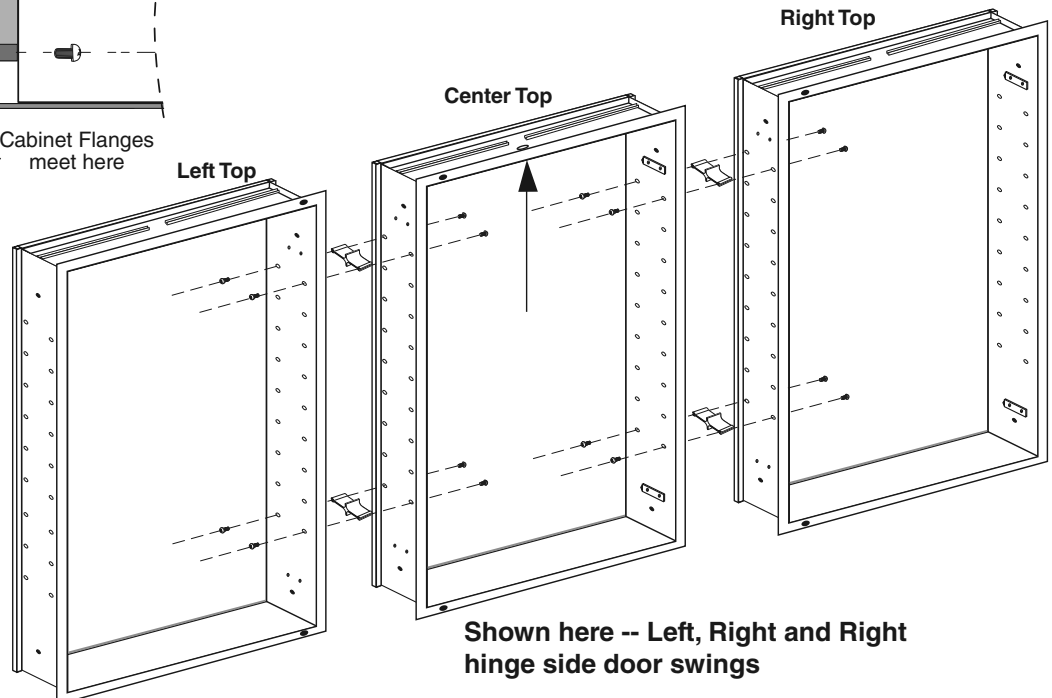
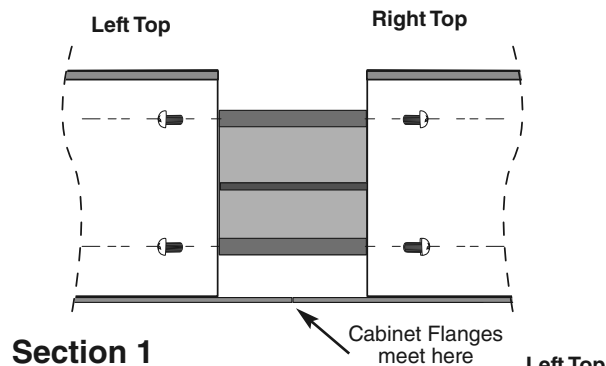
Cabinet depth	Connector Part#	Qty	Screws	Qty	Screw Caps	Qty
4" deep	#426	2	10-32 x 1 1/2"	8	#434	8
6" deep	#429	2	10-32 x 1 1/2"	8	#434	8



Shown here -- Left and Right hinge side door swings

Parts required to join Three (3) Cabinets:

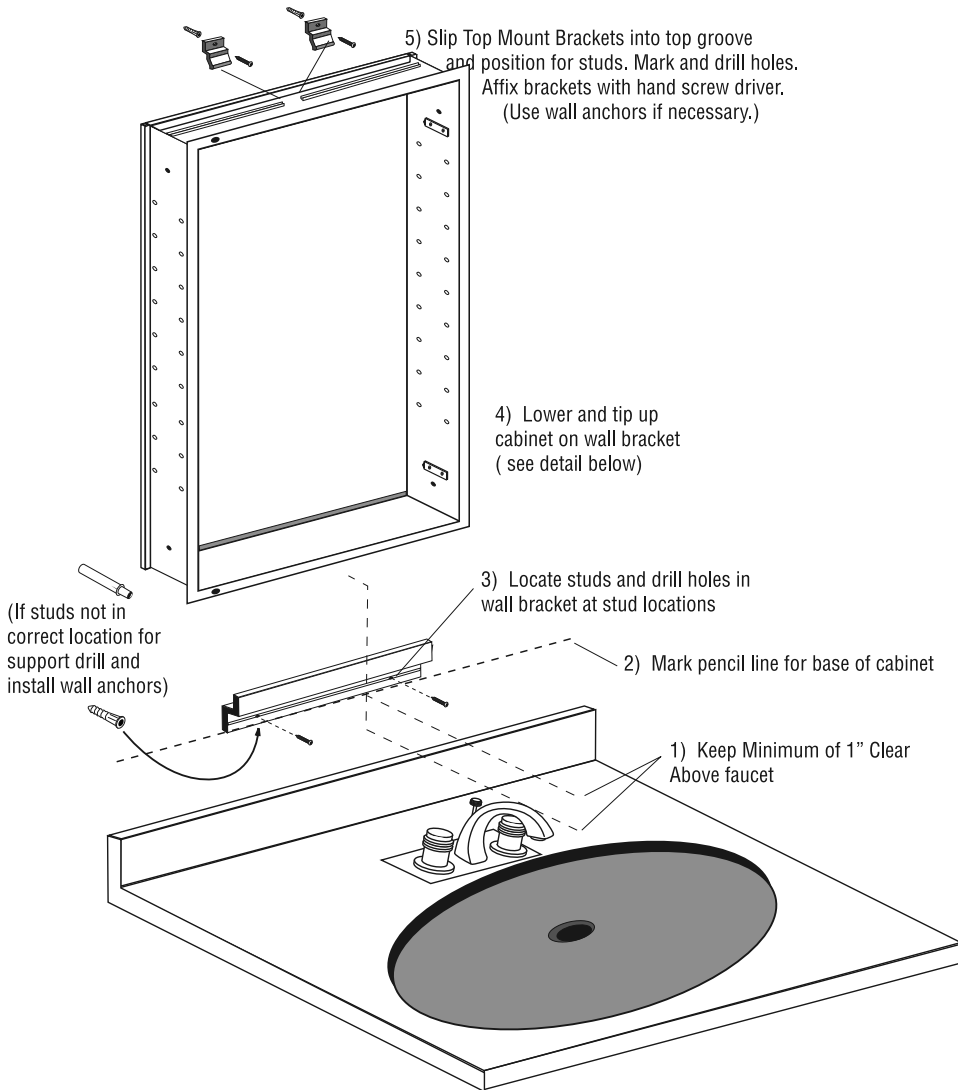
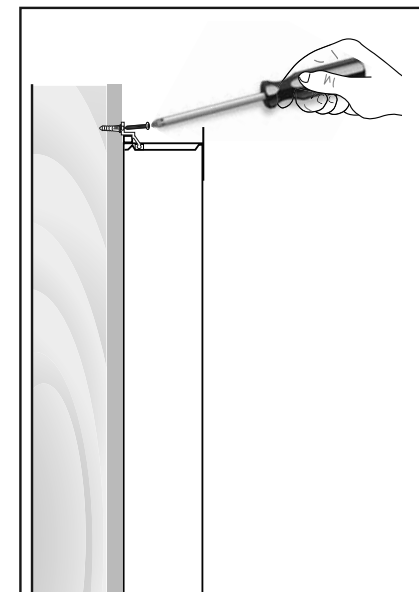
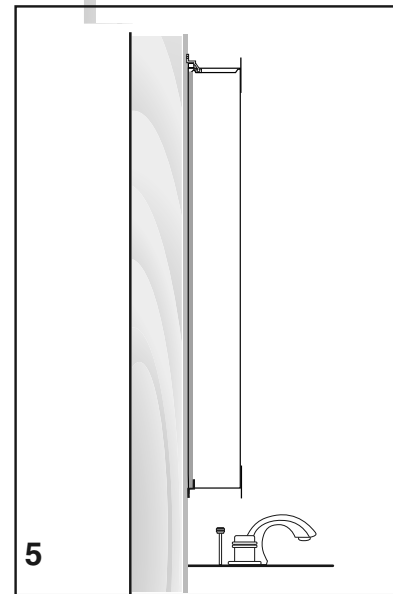
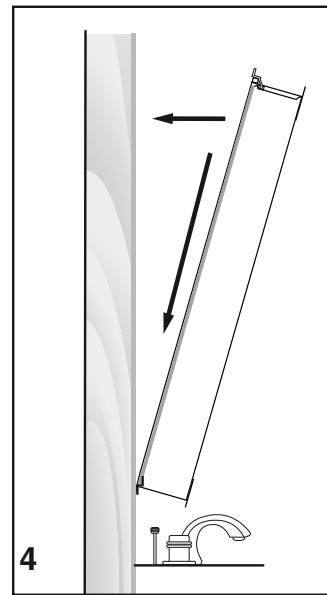
Cabinet depth	Connector Part#	Qty	Screws	Qty	Screw Caps	Qty
4" deep	#426	4	10-32 x 1 1/2"	16	#434	16
6" deep	#429	4	10-32 x 1 1/2"	16	#434	16



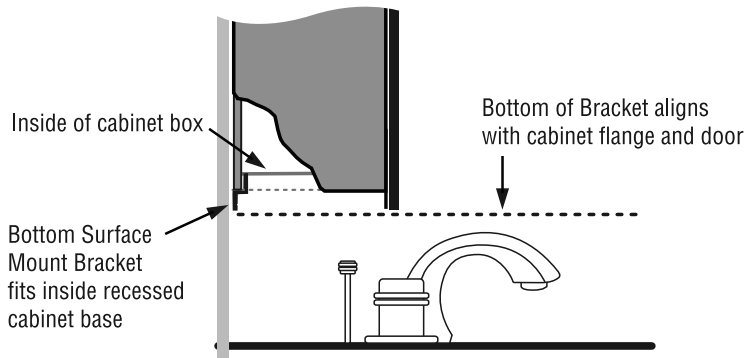
Shown here -- Left, Right and Right hinge side door swings

Installing a Surface Mount Mirrored Cabinet

A. Determine the desired height and use a level to mark a horizontal line. Be sure to allow a minimum clearance of 1" above any obstruction and plumbing fixtures. Remember the base of the cabinet box is 3/4" smaller than the face and the door.



Section 3;
Wall Mount Breakaway View



Side Mirror Kit Installation

For surface mounted 4" & 6" Mirrored Cabinets and 6" semi-recessed Mirrored Cabinets.

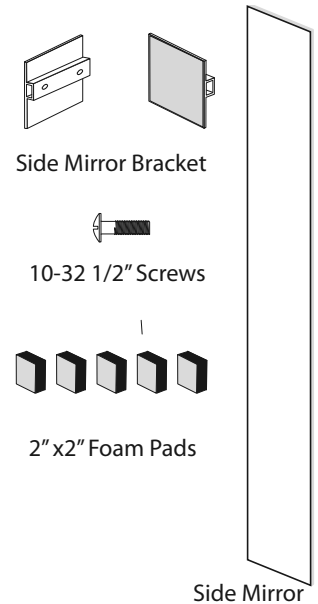
- 1) Attach the side mirror kit brackets thru the pre-punched holes in your cabinet.
- 2) Try to use the first row from the top and bottom of your cabinet. Using the eight 10-32 x 1/2" screws fasten the brackets and finish with screw caps.
- 3) Attach the 2" x 2" foam pads to the outside cabinet wall above, below and in between the position of the brackets.
- 4) Clean the backside of the side mirror kit panel with the Alcohol pads. Check alignment before you attach the mirror to be sure it will align even with the top of the cabinet.

5) Peel off paper covering of the adhesive tape on the side kit brackets pads. (*This holds the mirror in place*). Carefully align the mirror to the cabinet evenly on all four sides. Press firmly into place and attach to the side kit mirror to the cabinet body.

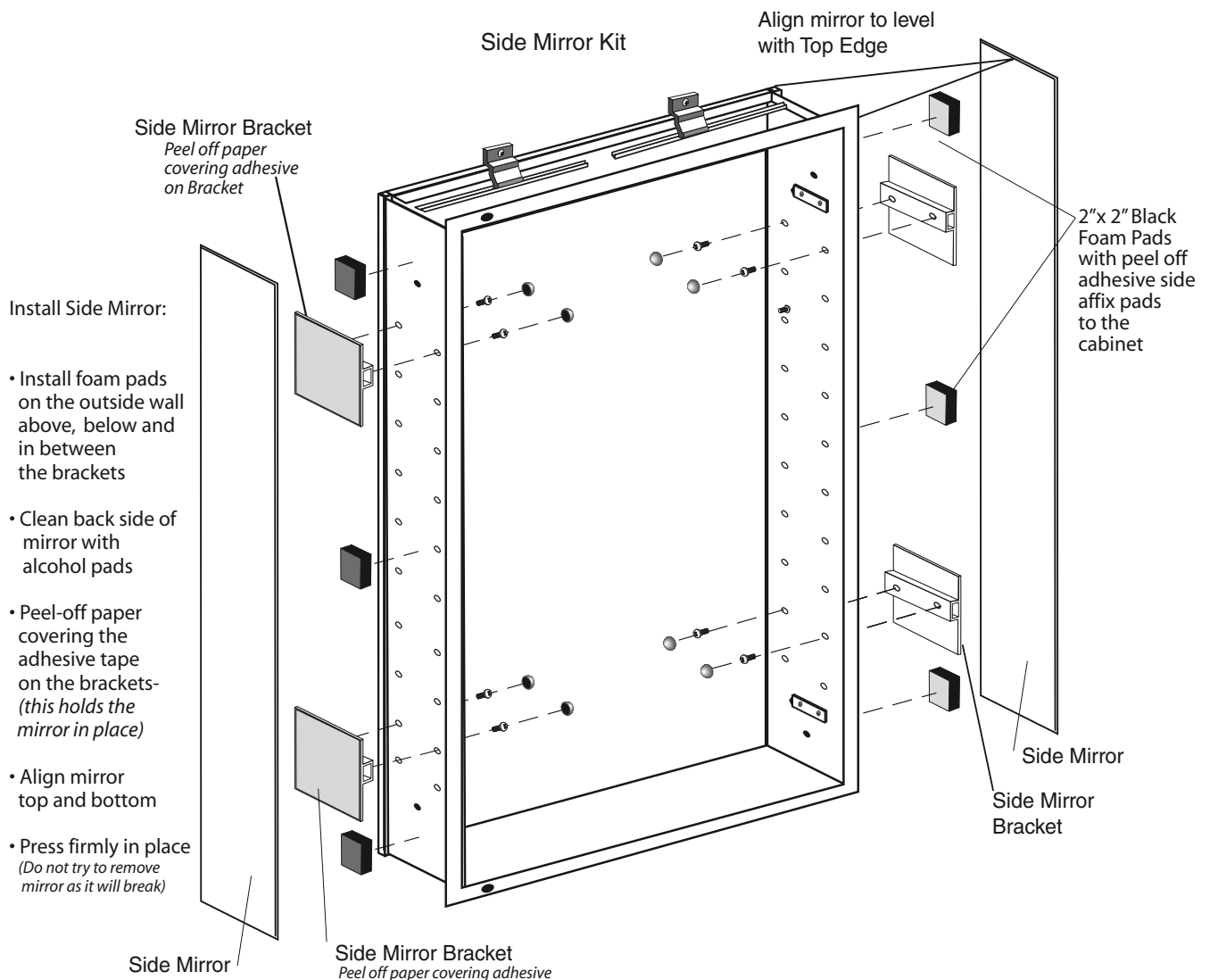
(Note: Once installed, do not try to remove the mirror as it will break.)

Side Mirror Kit parts list:

- 2 Mirror side panels to match the model height ordered
- 4 Side kit brackets with adhesive tape
- 6 2"x2" Black Foam Pads with peel off adhesive tape on both sides
- 8 Screws, 10-32 x 1/2"
- 8 Screw Caps (part # 434-00)
- 2 Alcohol Pads



To view a video showing helpful tips on how to install mirrored side kits, please go to GlassCraftersMirroredCabinets.com and navigate to the cabinet product that you are installing. Simply click on the installation tab (located below the product images) to view our installation videos.



Glass Shelves Installation

After the Mirrored Cabinet box has been properly installed, determine the appropriate height and location for the glass shelves.

Note: make sure the back wall mirror has been completely cleaned after installation. If cleaning the back wall mirror is necessary, use a household non-ammonia glass cleaner.

Cleaning Recommendations:

Never use abrasive cleaners or cleaners containing ammonia. This may cause chemical damage to the mirror and void the warranty.

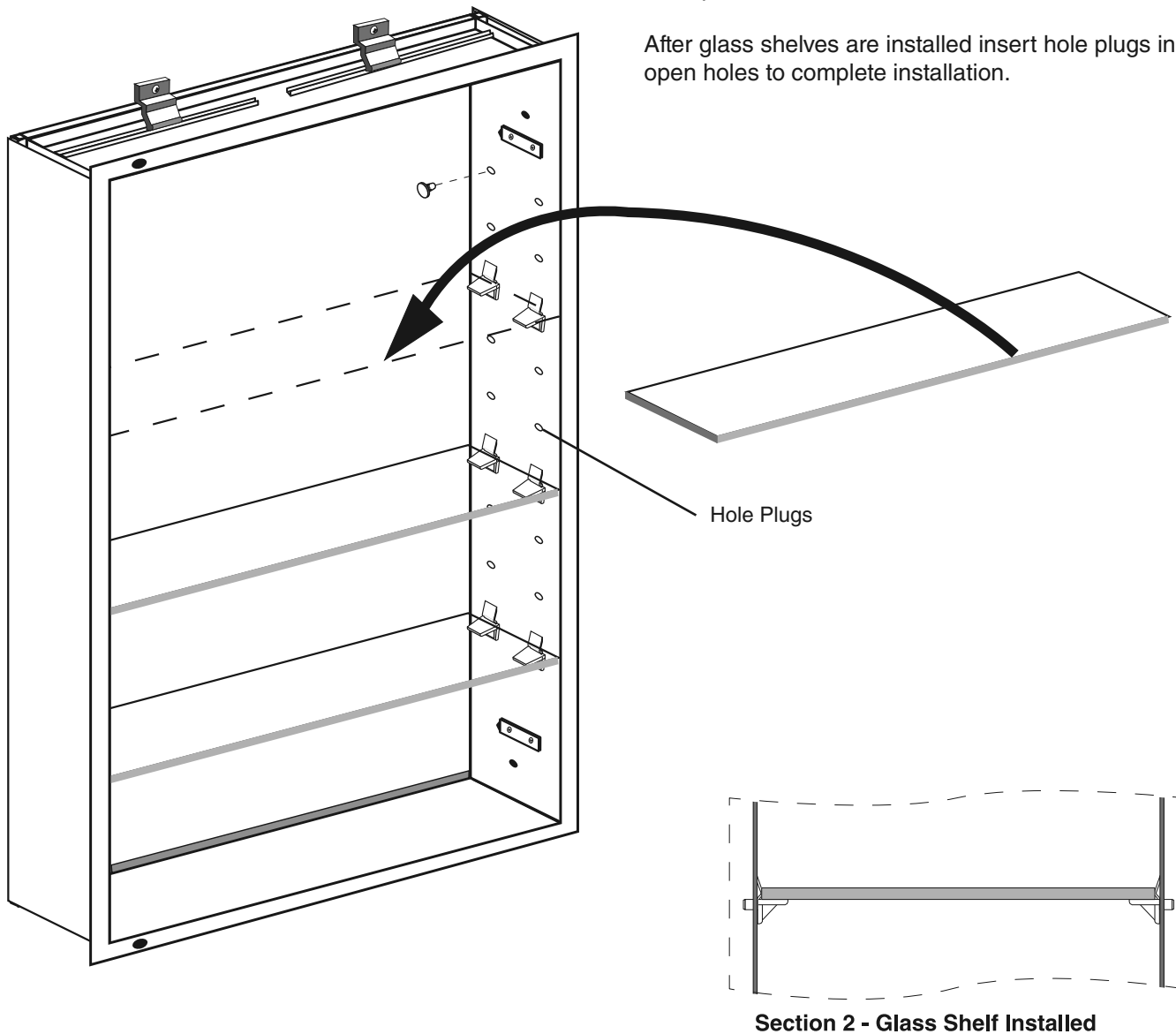
For cleaning the mirror, we recommend using "ammonia free" Sprayway brand glass cleaner, which is available at a variety of retail outlets.

www.spraywayinc.com/content/glass-cleaner



Each glass shelf will require four (4) shelf clips. Use care when handling the non-tempered glass shelves. On a level plane insert the shelf clips into the pre-punched holes. The clips are designed for a tight tension fit to hold the shelf. Place each glass shelf on the top of the left clip first, then slowly lower onto the right clip with a snap fit.

After glass shelves are installed insert hole plugs in all open holes to complete installation.



24" Height Series = 2 Shelves + 8 Shelf Clips

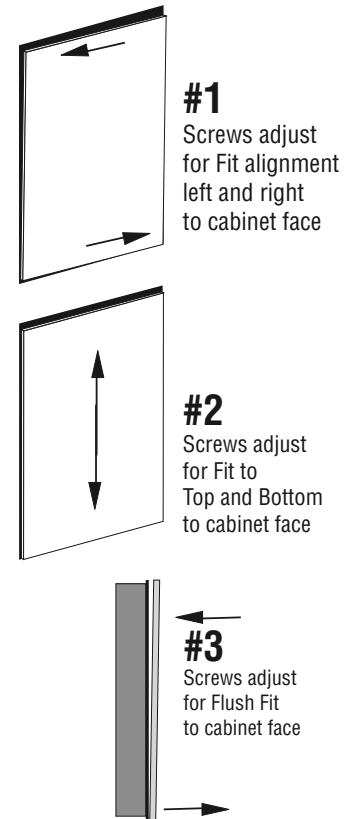
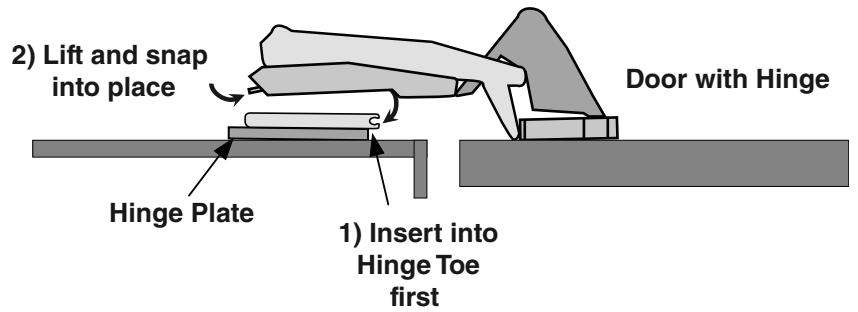
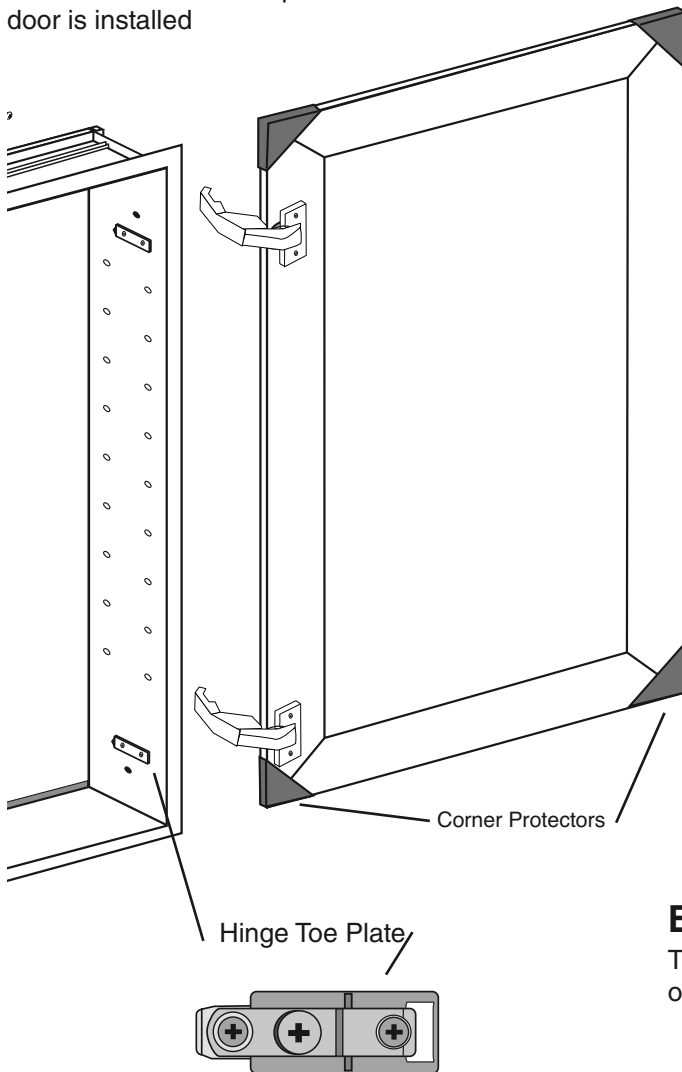
30" Height Series = 3 Shelves + 12 Shelf Clips

36" Height Series = 4 Shelves + 16 Shelf Clips

Door Installation

The doors are packed individually for protection of the mirror surfaces. Carefully remove the door from the carton.* Hold the door in the upright position snap open the factory installed hinges. Place the hinge onto the factory-installed mounting plate in the cabinet -- Toe first -- and snap into position. Be careful not to chip the door mirror.

*Do not remove corner protectors until the door is installed



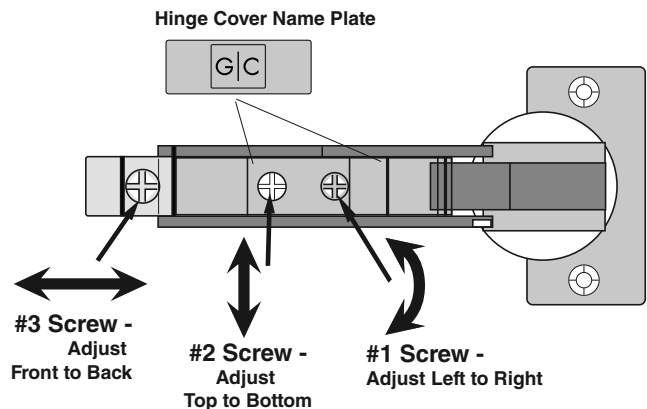
Blum Hinge Adjustment

The doors after adjustments are completed place cover caps on hinges.

Hinge Plate* Factory Installed.

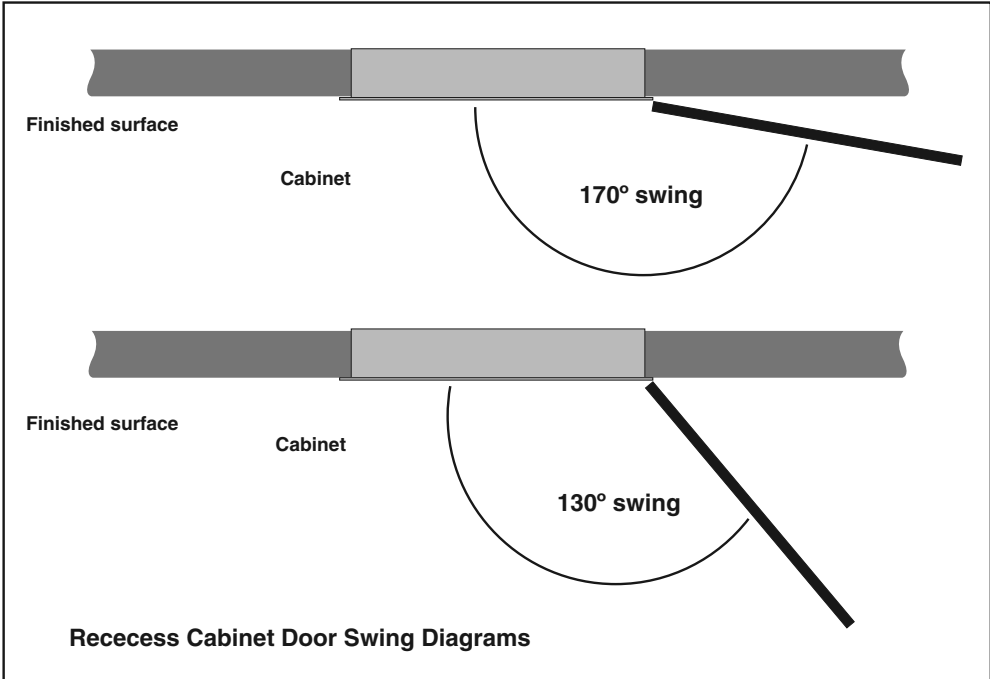
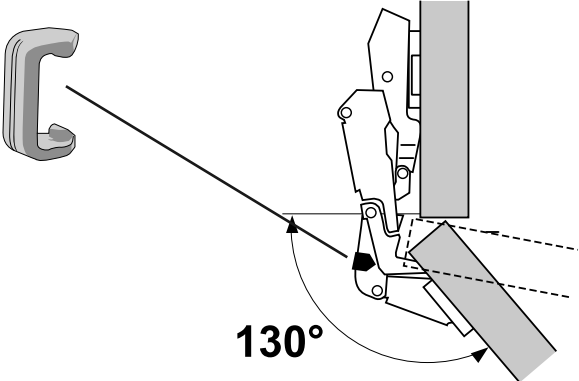
*If the door binds and does not fully close, adjust the Hinge Plate on the cabinet up and down, to relieve the tension

To view a video showing helpful tips on how to adjust our cabinet hinges, please go to GlassCraftersMirroredCabinets.com and navigate to the cabinet product that you are installing. Simply click on the installation tab (located below the product images) to view our installation videos.



Limit Clips

Limit Clips are provided should you need to reduce the opening swing of the cabinet door from 170 degrees to 130 degrees (see top view) This will eliminate the possibility of the door hitting a wall sconce or other decorative items.





GLASSCRAFTERS INC.

Master Parts List for Mirrored Cabinets

Model: GC1624-4"

	Qty.	Part Number
Cabinet 4" Cabinet	1	GC1624-4-Cab
Door - Boxed Separately	1	GC1624-D
Plastic Wall Anchor	5	# 10 PWA
Wall Anchor Screws	5	# 10 x 1 1/2 Phillips
Bottom Surface Wall Mount Bracket	1	414-03
Top Surface Mount Brackets	2	425-00
Screw Caps	12	434-00
Shelf Clips	12	439-01
Hole Plugs	40	433-00
*Cabinet Connectors 4" Cabinet	2	426-00
*Cabinet Connector Mounting Screws	8	18-855 10/32" x 1/2"
Glass Shelves 4" Cabinet	2	417-01-A 3 7/16" x 13 1/4" x 5/16"
Hinge Cover Name Plates	2	904-00
130 Degree Limit Clip	2	901-00
Soft Close Cushion	2	900-00
3X Magnification Mirror	1	950-01

This installation manual serves the complete line of GlassCrafters Mirrored Cabinets including all 4" deep and 6" deep models. The general parts list pictured on page 2 shows the single images of a part. To completely inventory the material delivered for your particular model please check the quantities indicated in the part list here and on pages 11 & 12.

Model: GC1630-4"

Model: GC1630-6"

	Qty.	Part Number
Cabinet 4" Cabinet	1	GC1630-4-Cab
Cabinet 6" Cabinet	1	GC1630-6-Cab
Door - Boxed Separately	1	GC1630-D
Plastic Wall Anchor	5	# 10 PWA
Wall Anchor Screws	5	# 10 x 1 1/2 Phillips
Bottom Surface Wall Mount Bracket	1	414-03
Top Surface Mount Brackets	2	425-00
Screw Caps	12	434-00
Shelf Clips	12	439-01
Hole Plugs	40	433-00
*Cabinet Connectors 4" Cabinet	2	426-00
*Cabinet Connectors 6" Cabinet	2	429-00
Cabinet Connector Mounting Screws	8	18-855 10/32" x 1/2"
Glass Shelves 4" Cabinet	3	417-01-A 3 7/16" x 13 1/4" x 5/16"
Glass Shelves 6" Cabinet	3	417-06-A 5 7/16" x 13 1/4" X 5/16"
Hinge Cover Name Plates	2	904-00
130 Degree Limit Clips	2	901-00
Soft Close Cushion	2	900-00
3X Magnification Mirror	1	950-01

Model: GC1636-4"

Model: GC1636-6"

	Qty.	Part Number
Cabinet 4" Cabinet	1	GC1636-4-Cab
Cabinet 6" Cabinet	1	GC1636-6-Cab
Door - Boxed Separately	1	GC1636-D
Plastic Wall Anchor	5	# 10 PWA
Wall Anchor Screws	5	# 10 x 1 1/2 Phillips
Bottom Surface Wall Mount Bracket	1	414-03
Top Surface Mount Brackets	2	425-00
Screw Caps	12	434-00
Shelf Clips	16	439-01
Hole Plugs	40	433-00
*Cabinet Connectors 4" Cabinet	2	426-00
*Cabinet Connectors 6" Cabinet	2	429-00
Cabinet Connector Mounting Screws	8	18-855 10/32" x 1/2"
Glass Shelves 4" Cabinet	4	417-01-A 3 7/16" x 13 1/4" x 5/16"
Glass Shelves 6" Cabinet	4	417-06-A 5 7/16" X 13 1/4" X 5/16"
Hinge Cover Name Plates	3	904-00
130 Degree Limit Clips	3	901-00
Soft Close Cushion	2	900-00
3X Magnification Mirror	1	950-01

Cleaning Recommendations:
Never use abrasive cleaners or cleaners containing ammonia. This may cause chemical damage to the mirror and void the warranty.

For cleaning the mirror, we recommend using ammonia free Sprayway brand glass cleaner, which is available at a variety of retail outlets. www.sprayway-inc.com/content/glass-cleaner



Model: GC2030-4"
Model: GC2030-6"

	Qty.	Part Number	Qty.
Cabinet 4" Cabinet	1	GC2030-4-Cab	1
Cabinet 6" Cabinet	1	GC2030-6-Cab	1
Door - Boxed Separately	1	GC2030-D	1
Plastic Wall Anchor	5	# 10 PWA	5
Wall Anchor Screws	5	# 10 x 1 1/2 Phillips	5
Bottom Surface Wall Mount Bracket	1	414-03	1
Top Surface Mount Brackets	2	425-00	2
Screw Caps	12	434-00	12
Shelf Clips	12	439-01	16
Hole Plugs	40	433-00	40
*Cabinet Connectors 4" Cabinet	2	426-00	2
*Cabinet Connectors 6" Cabinet	2	429-00	2
Cabinet Connector Mounting Screws	8	18-855 10/32" x 1/2"	8
Glass Shelves 4" Cabinet	3	417-02-A 3 7/16" x 17 1/4" x 5/16"	4
Glass Shelves 6" Cabinet	3	417-07-A 5 7/16" x 17 1/4" x 5/16"	4
Hinge Cover Name Plates	2	904-00	3
130 Degree Limit Clips	2	901-00	3
Soft Close Cushion	2	900-00	2
3X Magnification Mirror	1	950-01	1

Model: GC2036-4"
Model: GC2036-6"

		GC2036-4-Cab.	
		GC2036-6-Cab.	
		GC2036-D	
		#10 PWA	
		# 10 x 1 1/2 Phillips	
		414-03	
		425-00	
		434-00	
		439-01	
		433-00	
		426-00	
		429-00	
		18-855 10/32" x 1/2"	
		417-02-A 3 7/16" x 17 1/4" x 5/16"	
		417-07-A 5 7/16" x 17 1/4" x 5/16"	
		904-00	
		901-00	
		900-00	
		950-01	

Model: GC2430-4"
Model: GC2430-6"

	Qty.	Part Number	Qty.
Cabinet 4" Cabinet	1	GC2430-4-Cab	1
Cabinet 6" Cabinet	1	GC2430-6-Cab	1
Door - Boxed Separately	1	GC2430-D	1
Plastic Wall Anchor	5	# 10 PWA	5
Wall Anchor Screws	5	# 10 x 1 1/2 Phillips	5
Bottom Surface Wall Mount Bracket	1	414-03	1
Top Surface Mount Brackets	2	425-00	2
Screw Caps	12	434-00	12
Shelf Clips	12	439-01	16
Hole Plugs	40	433-00	40
*Cabinet Connectors 4" Cabinet	2	426-00	2
*Cabinet Connectors 6" Cabinet	2	429-00	2
Cabinet Connector Mounting Screws	8	18-855 10-32 x 1/2"	8
Glass Shelves 4" Cabinet	3	417-03-A 3 7/16" x 21 1/4" x 5/16"	4
Glass Shelves 6" Cabinet	3	417-08-A 5 7/16" x 21 1/4" x 5/16"	4
Hinge Cover Name Plates	2	904-00	3
130 Degree Limit Clips	2	901-00	3
Soft Close Cushion	2	900-00	2
3X Magnification Mirror.	1	950-01	1

Model: GC2436-4"
Model: GC2436-6"

		GC2436-4-Cab	
		GC2436-6-Cab	
		GC2436-D	
		# 10 PWA	
		# 10 x 1 1/2 Phillips	
		414-03	
		425-00	
		434-00	
		439-01	
		433-00	
		426-00	
		429-00	
		18-855 10/32" x 1/2"	
		417-03-A 3 7/16" x 21 1/4" x 5/16"	
		417-08-A 5 7/16" x 21 1/4" x 5/16"	
		904-00	
		901-00	
		900-00	
		950-01	

*Cabinet Connectors -- Special Order

WARRANTY

GlassCrafters, Inc. offers a Limited 3 Year Warranty on all mirrored cabinet products. GlassCrafters' warranty provides the original purchaser a guarantee that it will replace or at its own discretion repair products shown to have substantial defects in workmanship or materials. These claims must be filed with your dealer or professional installer and forwarded in writing to GlassCrafters within three years of the delivery date to the end user of the product. GlassCrafters shall not be responsible for any installation or removal costs. This warranty does not apply to the following, chemical or natural corrosion of the mirror. The use of abrasive cleaners or cleaners containing ammonia will cause chemical damage to the mirror, voiding this warranty.

The GlassCrafters warranty does not cover product that is damaged in shipping, accidents in handling during installation or if the reported defects are a result of faulty installation, abuse, misuse, abnormal wear, poor maintenance, accident or repairs by service personnel other than the original professional installer as authorized by GlassCrafters. After the three year period GlassCrafters shall not have any further obligation, expressed or implied including merchantability under the Limited Warranty.

Blum hinges and soft closing cushions have a separate lifetime warranty from Blum, Inc. This warranty is against defects in materials and workmanship as long as the original consumer owns the product. This is a warranty of replacement. After verification of defect, Blum, Inc. will send replacement hardware without charge.

GlassCrafters shall not have any liability for any consequential damages stemming from or in connection with the use per performance of this product. Prevailing state law on the limits of the implied warranty will apply.

The liability of GlassCrafters under any implied or expressed warranty, including merchantability, is expressly limited to the terms of this warranty. Any claim under this warranty must be made directly to the dealer of record.

Permission to return any merchandise under this warranty must be authorized in writing by GlassCrafters and must include prepaid shipping by the purchaser.



GLASSCRAFTERS, INC
193 Veterans Blvd., Carlstadt, NJ 07072

1+(800) 233-7362 (F) 1+(888) 233-7362
sales@glasscraftersinc.com