



GLASSCRAFTERS INC.

GLASSCRAFTERS, INC
193 Veterans Blvd., Carlstadt, NJ 07072

1+(800) 233-7362 (F) 1+(888) 233-7362
sales@glasscraftersinc.com

Door Handle for Full-Length Mirrored Cabinet Installation Instructions

INSTALLATION IS INTENDED ON THE ALUMINUM FRAME OF THE GLASSCRAFTERS' MIRRORRED CABINET DOOR.

The following instruction sheet is for the handle accessory for
GC1672 and GC2072 Mirrored Cabinets, applicable to both 4" and 6" deep models in
both Surface Mount and Recessed installations.

• **DO NOT install this Handle without homeowner's approval.**

The location of the Handle should be determined by the homeowner at a comfortable height. It is recommended that the height be between 35" and 45" above the finished floor.

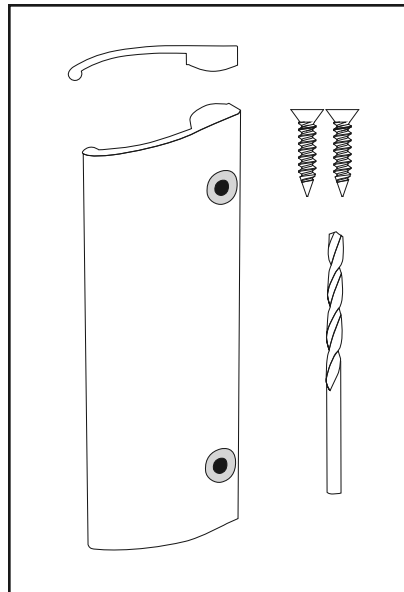
The installation requires drilled holes in the door and should not be moved once affixed to surface.

DO NOT remove peel-off paper covering the adhesive tape on the back of Handle until ready to install.

This tape will enable you to position the Handle and drill for the screws.

CAUTION: ONLY USE THE DRILL BIT SUPPLIED FOR THE HANDLE. DRILL AT EXACTLY 90° TO THE DOOR FRAME. The screws are self-threading and will only require a hole through the hollow aluminum door frame.

Handle Kit for
Full Length Mirrored Doors



SAVE THESE INSTRUCTIONS FOR FUTURE REFERENCE

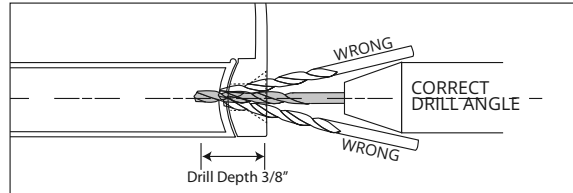
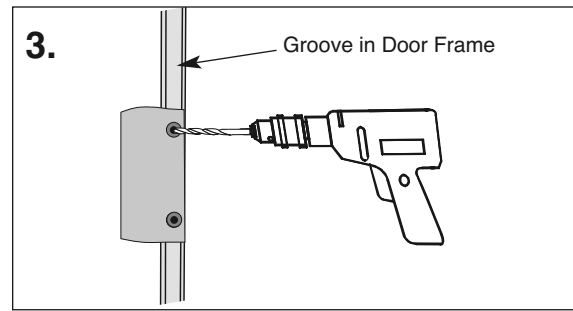
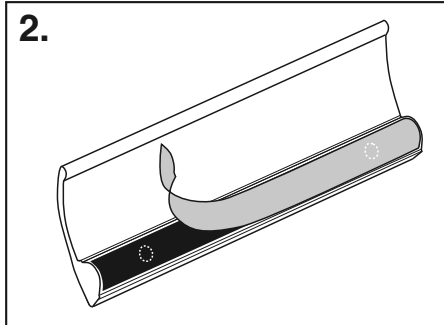
Please use extreme care while unpacking and handling your
GlassCrafters' Accessory.
Report any damage immediately to our GlassCrafters' customer
service team at 800-233-7362,
Monday thru Friday from 8:00 am to 5:00 pm (EST).

Installation Instructions for Handle on Mirrored Door Aluminum Frame

Do not remove peel-off paper covering the adhesive tape on Handle until you are ready to install.

1. Make a pencil mark for the top of the Handle as decided by the homeowner.

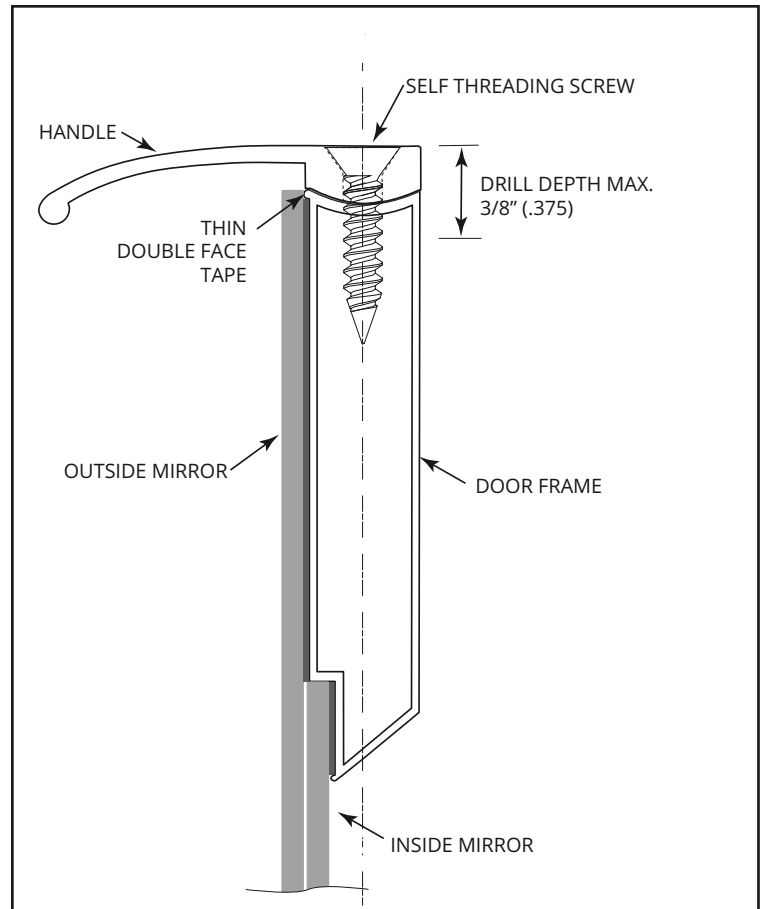
2. Remove the paper covering the adhesive and press the Handle into position in the groove on the edge of the door.



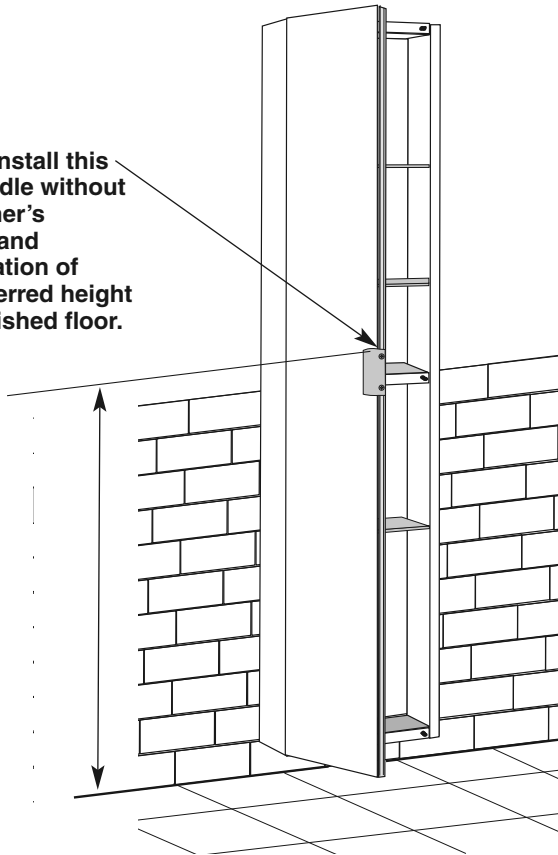
3. Drill the holes for the self-threading screws through the holes in the handle. The drill must be exactly 90° to the edge of the hollow aluminum door frame and only needs to penetrate $3/8$ " deep.

4. Screw Handle into place.
DO NOT OVERTIGHTEN SCREW(S) AS THIS COULD STRIP THE THREADS IN THE DOOR FRAME.

Section View of Handle on Mirrored Door Aluminum Frame



DO NOT install this Door Handle without homeowner's approval and determination of their preferred height above finished floor.



GLASSCRAFTERS INC.

GLASSCRAFTERS, INC
193 Veterans Blvd., Carlstadt, NJ 07072

1+(800) 233-7362 (F) 1+(888) 233-7362
sales@glasscraftersinc.com