



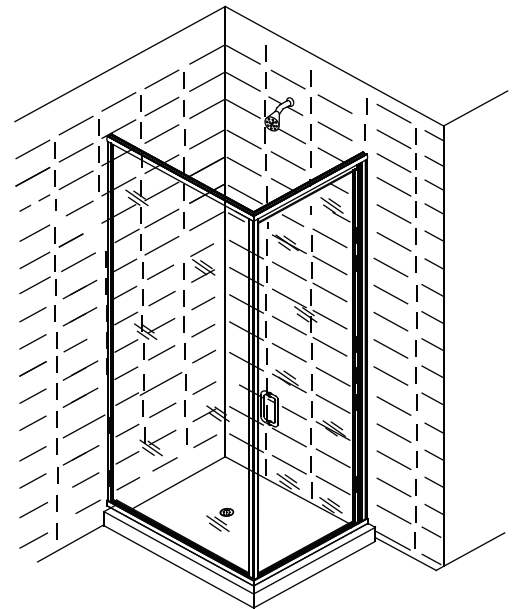
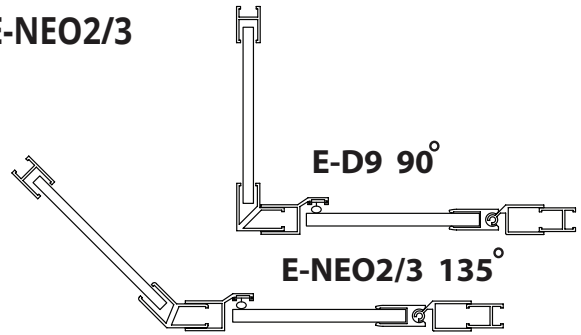
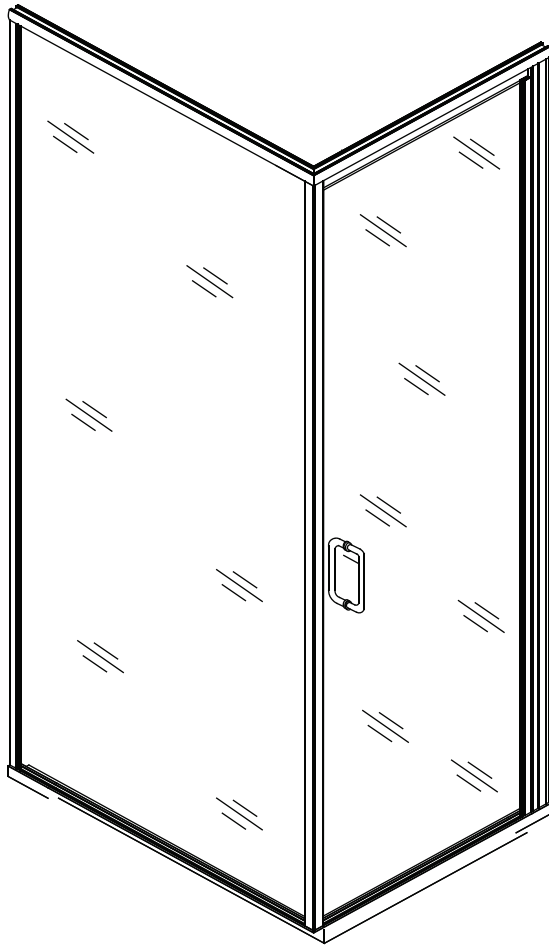
GLASSCRAFTERS INC.

GLASSCRAFTERS, INC.  
193 Vetrans Blvd., Carlstadt, NJ 07072

1+ (888) 683-1362 (F) 1+(201) 525-1117  
sales@glasscraftersinc.com

# EPIC™ SERIES

## Model Semi-Frameless Door with 90°-135° Return Panel Installation Instructions Model E-D9 & E-NEO2/3



IF YOU NEED REPLACEMENT PARTS OR HAVE INSTALLATION QUESTIONS,  
PLEASE CALL OUR CUSTOMER SERVICE REPRESENTATIVES.  
INSTALLATIONS SHALL BE MADE ACCORDING TO MANUFACTURER'S INSTRUCTIONS AND DRAWINGS.  
GLASSCRAFTERS RECOMMENDS THE INSTALLATION TO BE PERFORMED BY A TRAINED INSTALLER.

**888-683-1362**

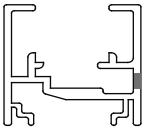
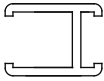
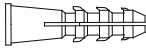
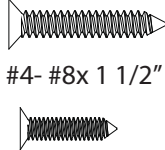

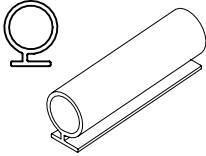
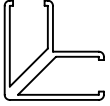
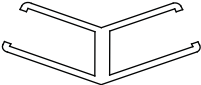
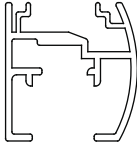
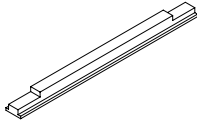
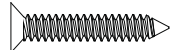
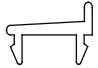
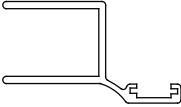


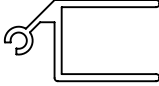
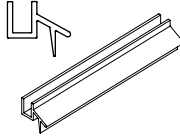
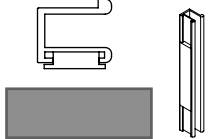

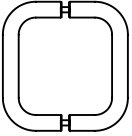
# READ INSTRUCTIONS BEFORE STARTING INSTALLATION

Item No.	Description	Qty	Item No.	Description	Qty
#1	Threshold	1	#11	1/2" Tek Screws	2
#2	Wall Jambs	2	#12	Header/T-hold Insert	2
#3	Anchors	6	#13	Strike Jamb	1
#4	8x1 1/2" Screws	6	#14	Vertical Glazing Vinyls	
#5	Setting Blocks	2	#15	Horizontal Glazing Vinyl	
#6	Bulb Seal	2	#16	Hinge Jamb	1
#7	90 Degree Corner Post	1	#17	Deflector	1
#8	Header	1	#18	Clamp-on Magnet and pad	1
#9	8x7/16 Screws	9	#19	Hinge Stile	1
#10	Slide in Magnet	1	#20	D-Pull Handle	1

**CAUTION:** Risk of injury or product damage. Do not attempt to cut tempered glass.

**IMPORTANT!** Children should be supervised at all times while in Tub/Shower Enclosure.

**IMPORTANT!** Never use Door Handle to support yourself. This is for towels or wash cloths only.

 #1- Threshold	 #2 -Wall Jamb	 #3- Anchors	 #4- #8x 1 1/2" #9- #8x7/16"	 #5 Setting Blocks	 #6- Bulb Seal
 #7 90 Corner- Post if E-D9	 #7 135 Corner- Post if E-NEO23	 #8 Header	 #10- Slide-in Magnet	 #11- 1/2" Tek Screws	 #12- Header/ T-Hold Inserts
 #13- Strike Jamb	 #14 Vertical Glazing Vinyl	 #15 Horizontal Glazing Vinyl	 #16- Hinge Jamb	 #17- Deflector	 #18- Clamp-on Metal Pad / rubber
 #19- Hinge Stile	 #20 - 6" D-pull				

**Please Note:**

- \* Parts #16, #19, #6, #10 and the Door Glass are pre-assembled in factory.
- \* Part #20 - Standard D-pull. Additional handles are available.
- \* Part # 18 - Included in package with wrap around black rubber pad.
- \* Please contact Customer Service with replacement parts requests. When ordering replacement parts, please specify the Model Number, Item Number & Part Description.
- \* Save Installation Instructions For The Future Reference And In The Event You Need To Order A Replacement Part.

PLEASE STOP THE INSTALLATION AND CONFIRM WITH FACTORY IF THE ACTUAL NUMBER OR TYPE OF PARTS IS DIFFERENT.

**Tools Required - For installation of Your Shower Enclosure:**

**A** - Safety glasses.

**B** - Measuring tape.

**C** - Pencil.

**D** - Hacksaw  
(with 32 teeth per inch blade).

**E** - Miter Box or Square.

**E\*** - Chop saw with carbide  
Tooth blade.

**F** - Level.

**G** - Electric Drill.

**H** - Center Punch

**I** - Drill bit, 1/8"  
(for installation on a  
fiberglass enclosures)

**I\*** - Drill bit, 3/16" masonry  
(for installation on ceramic  
tiles or marble)

**J** - Drill Bit #29, for drilling  
screws #9 and #11.

**K** - Power screwdriver

**L** - #2 Phillips screwdriver

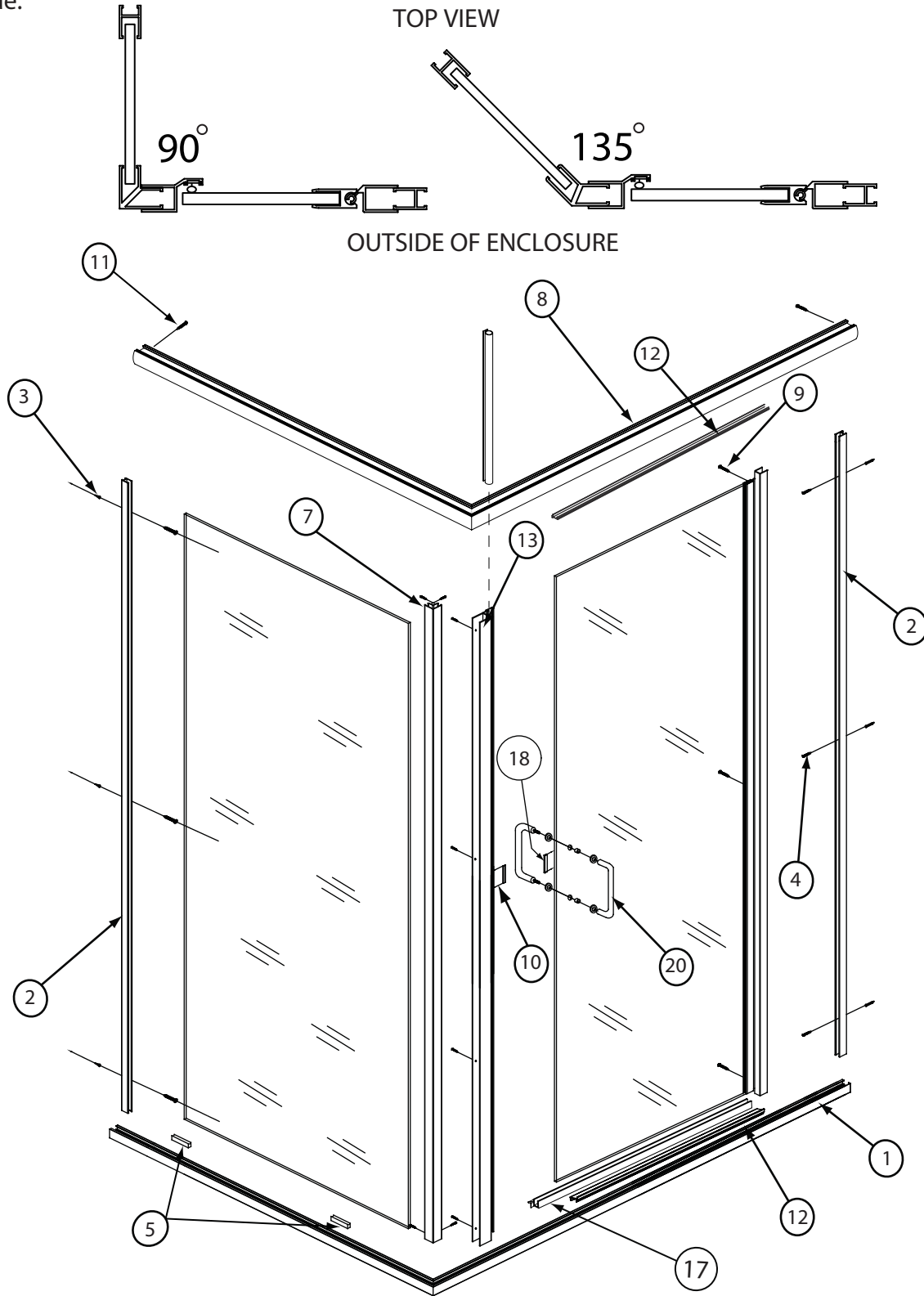
**M** - Caulking gun

**N** - Block of wood or  
Glazing block

**O** - Wooden shims

**P** - Silicone

**Q** - Masking Tape



**VIEW FROM OUTSIDE**

# Installation Instructions for GlassCrafters Semi-Frameless Models E - D9 & E-NEO2/3

**IMPORTANT: Read all instructions carefully and become familiar with all parts before installation.**

**Unpacking:** Care should be taken unpacking your Shower Enclosure. Place the Glass Panels in an upright, Safe location to avoid damage. Never place glass directly on hard surface.

**A Box cutter should not be used to open box.**

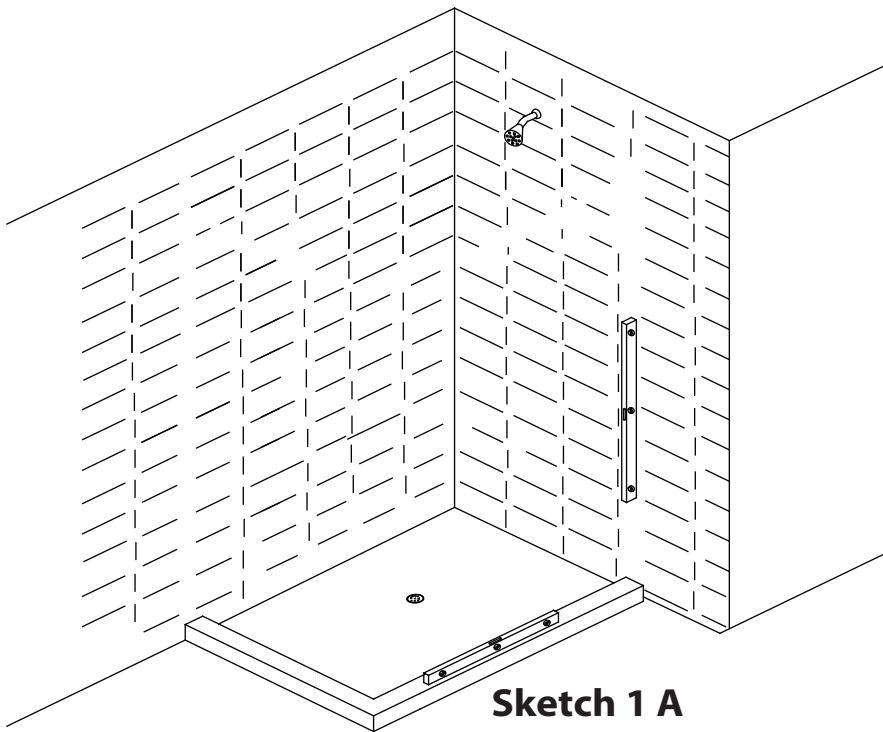
**Please remove all staples from the box prior to unpacking metal and glass.**

**Cleaning:** Never use scouring powder, pads or sharp instruments on metal work or glass panels. We recommend the use of a squeegee after each shower to eliminate water spots on the inside of the glass panels.

An occasional wiping down of the glass panels and anodized aluminum parts with a mild detergent, diluted in water, is all that is needed to keep your Shower /Tub Enclosure looking brand new.

**Please Note;** this Shower Enclosure Door ONLY swings outward. Be sure to allow room for the door to open.

1



Sketch 1 A

Determine if your Shower Stall Enclosure Ledge Level and Walls are Plum as shown in Sketch 1 A.

If they are out of level/Plumb by more than 1/4" STOP and call Customer Service.

A Base filler and/or Wall Jamb Filler is recommended for obtaining proper adjustment. Both are available through Customer Service.

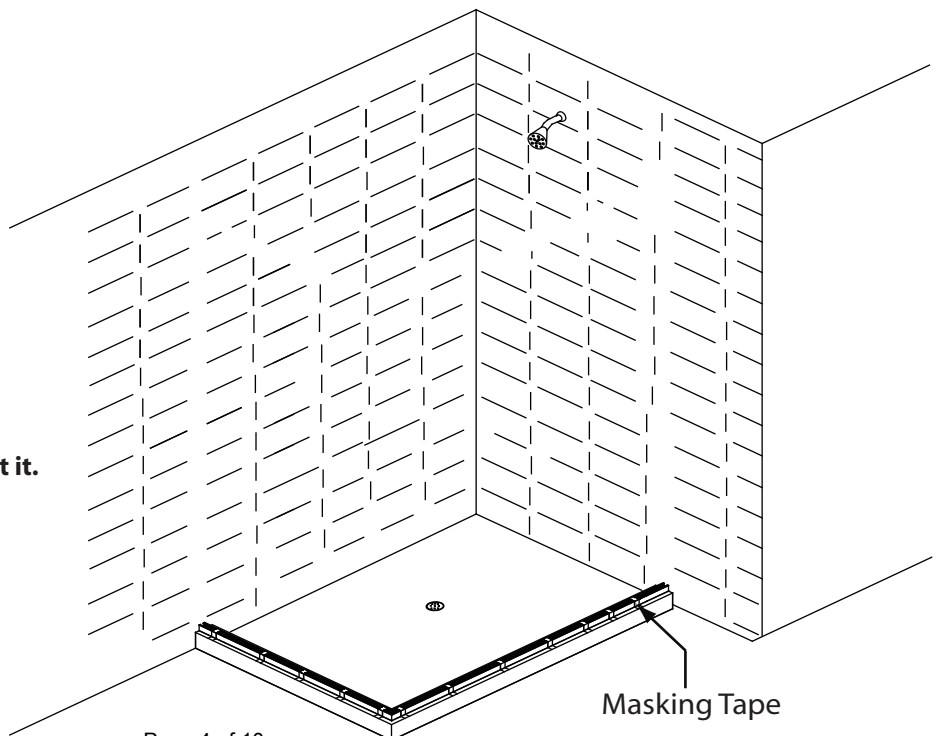
MODEL E-D9 SHOWN

2

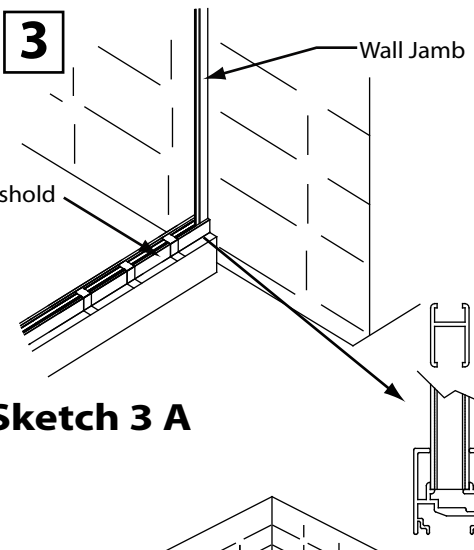
**Threshold (1) is cut to size at the factory.**

Place Threshold #1 into position and temporarily secure it with masking tape as shown in Sketch 2A

**If Threshold does not fit do not attempt to re-cut it. Contact Manufacturer for assistance.**

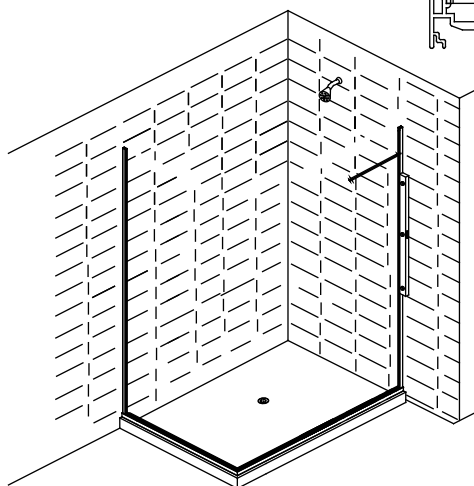


Masking Tape

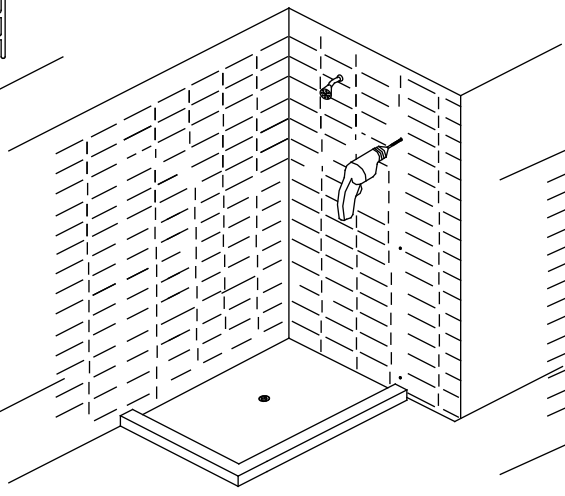


**Sketch 3 A**

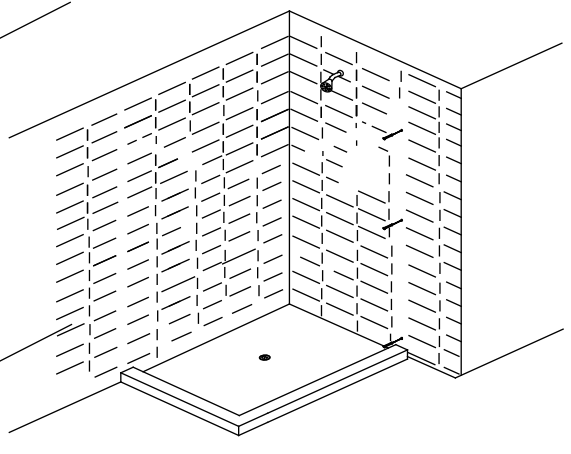
**3** Carefully position the Wall Jamb into the Threshold, as shown in **SKETCH 3A**. Be careful not to move the temporary position of the Base. Use a level to plumb the Wall Jamb, as shown in **SKETCH 3B** Mark the three mounting hole locations for each Wall Jamb. Remove Wall Jamb and Threshold. Drill marked mounting holes and insert wall anchors as shown in **Sketch 3 C**. Apply a generous amount of Silicone to underside of Threshold and in each corner to prevent Water leakage. Clear the Base of any dust or Tile Particles and Place Threshold into position. Insert Wall Jamb into Threshold and secure them to the walls with screws # 4 as shown in **Sketch 3D**



**Sketch 3 B**

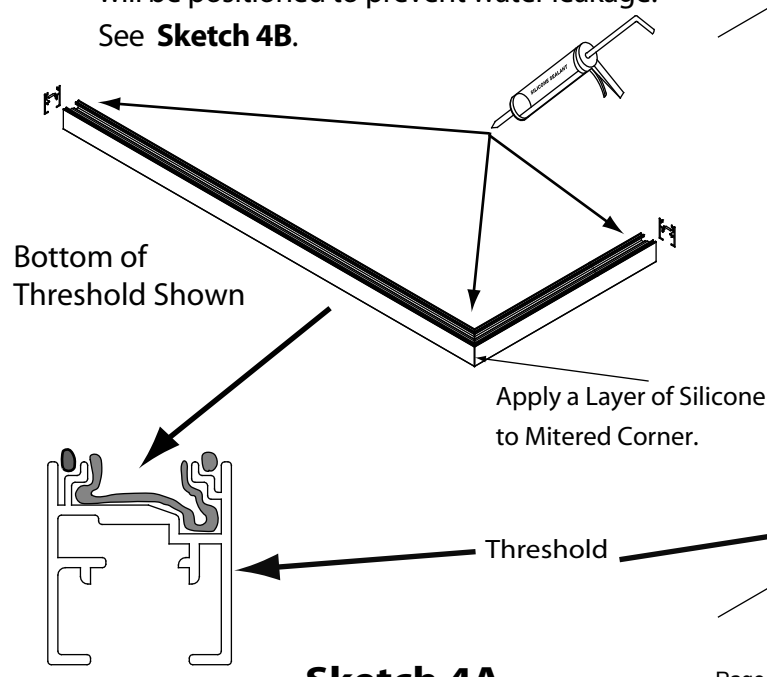


**Sketch 3 C**

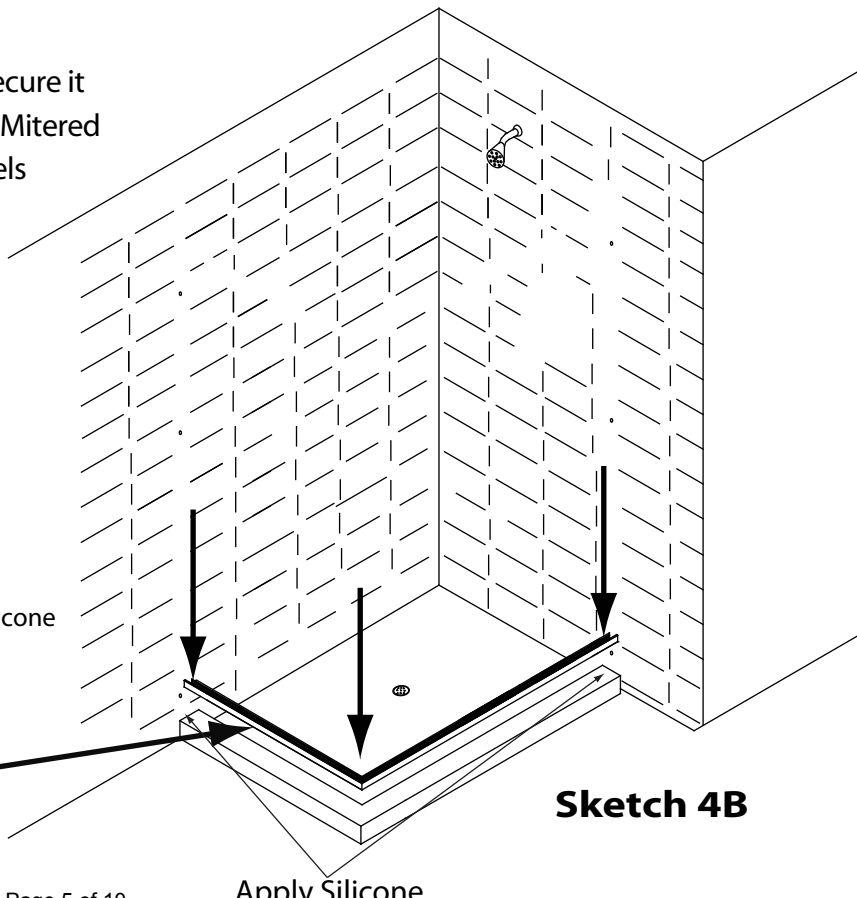


**Sketch 3 D**

**4** Flip Threshold over and apply Silicone Sealant to areas shown in **Sketch 4A**. Clean the Base from dust and tile Particles Place Threshold into position and temporarily secure it with masking tape. Apply a Layer of Silicone to Mitered Joints and each end of base where wall channels will be positioned to prevent water leakage. See **Sketch 4B**.

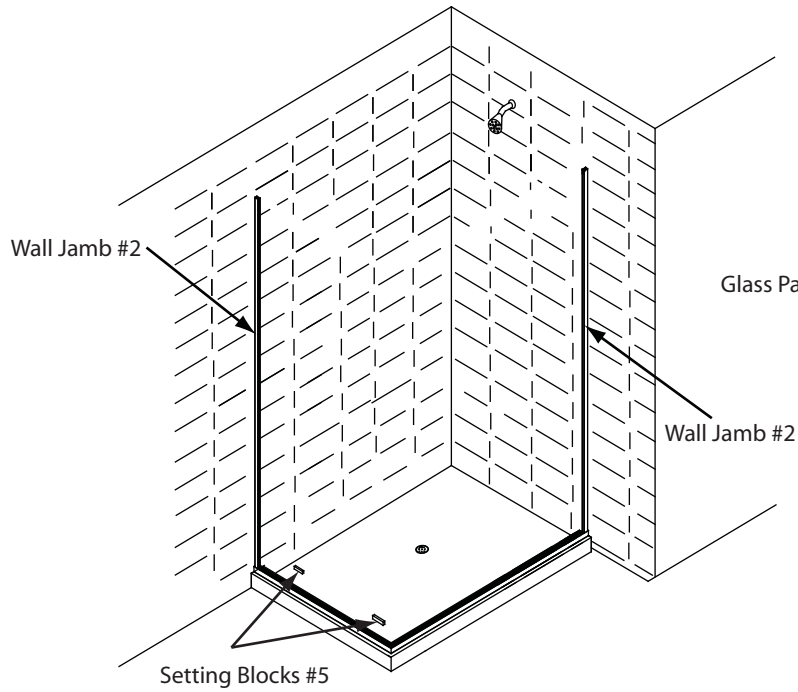


**Sketch 4A**



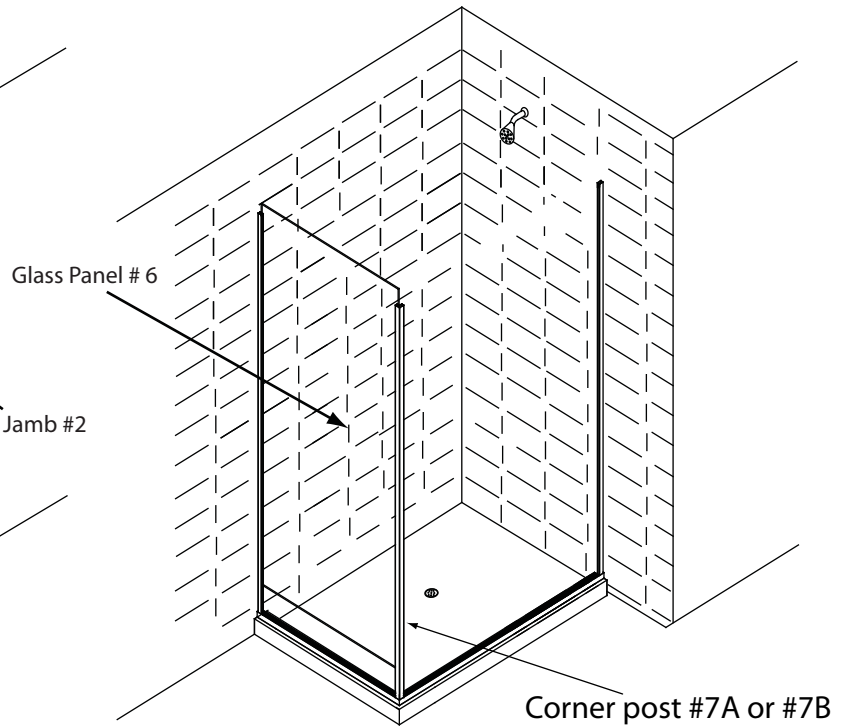
**Sketch 4B**

**5** With Threshold # 1 and Wall jambs #2 installed, insert Setting Blocks #5 as shown in **Sketch 5A** with arch facing downward.



**Sketch 5A**

Place Glass Panels #6 and #7 into position as shown in **Sketch 6B**. Be careful not to chip or strike glass edges. Glass can brake if edges are not handled properly. Set the Corner Post #7 into Threshold.



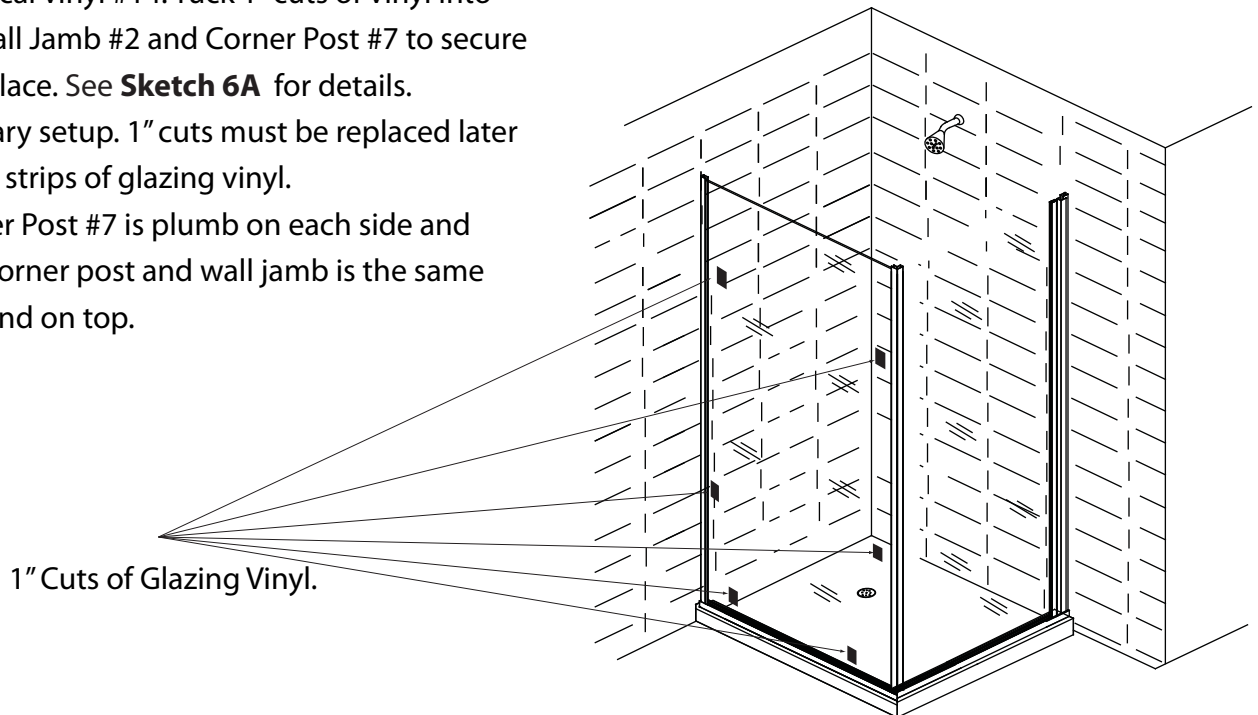
**Sketch 5B**  
**(Corner post #7A shown)**

**6**

Cut (2) 1" pieces of horizontal glazing vinyl #15 and (4) 1" pieces of vertical vinyl #14. Tuck 1" cuts of vinyl into Threshold #1, Wall Jamb #2 and Corner Post #7 to secure glass panels in place. See **Sketch 6A** for details.

This is a temporary setup. 1" cuts must be replaced later with continuous strips of glazing vinyl.

Make sure Corner Post #7 is plumb on each side and space between corner post and wall jamb is the same on the bottom and on top.

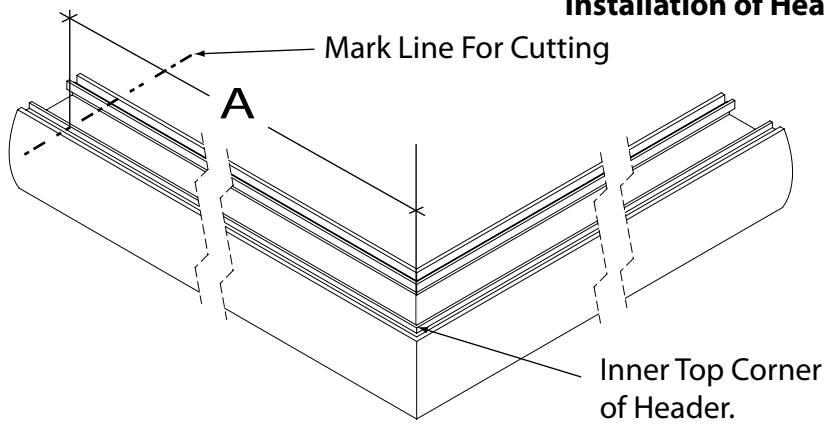


**Sketch 6 A**

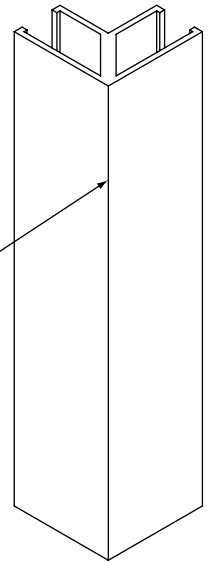
7

**Installation of Header.**

**Sketch 8**



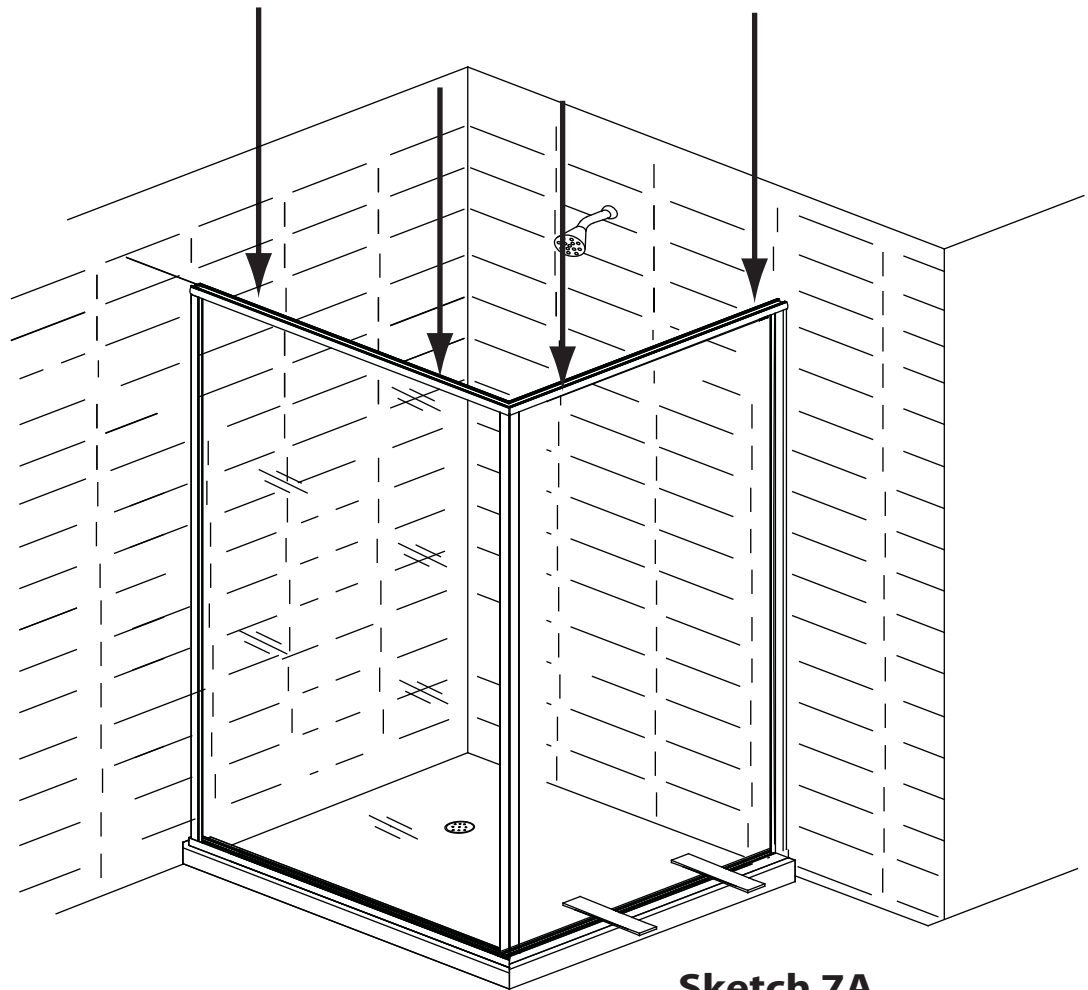
Middle Rib of  
Corner post #7



Measure the dimension "A" from the middle rib of left Corner post #7 to the left wall.  
 Mark size "A" on the header holding tape-measure on inner top corner of the header.  
 See **Sketch 7** for detail.  
 Cut the excess header.  
 Repeat this step for right side.

**Corner post #7A shown**

8



**Sketch 7A**

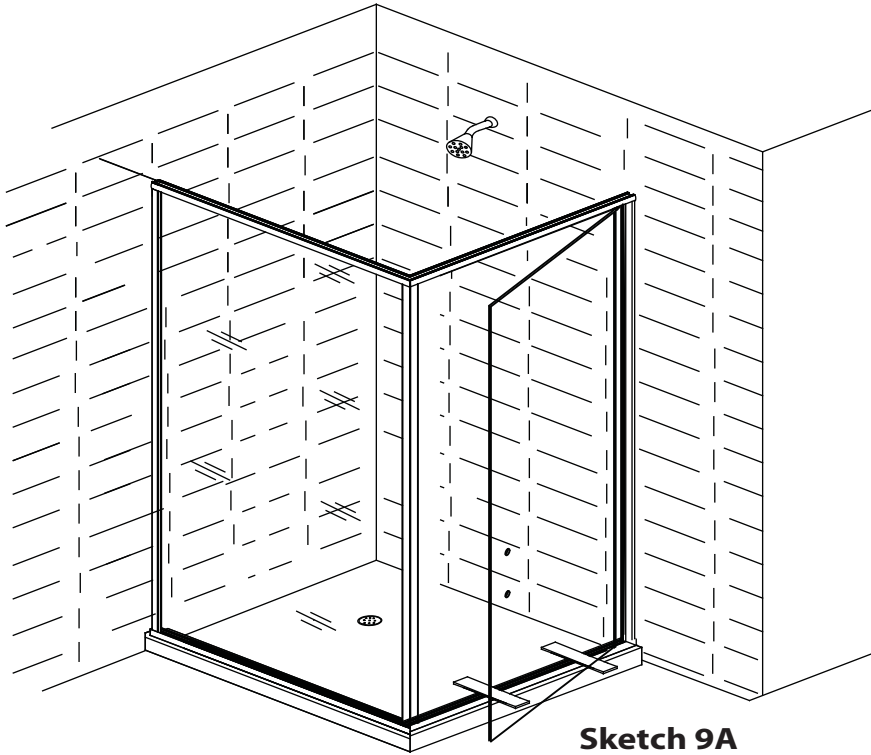
Set the 2 piece Header #8 over the glass panels and metal extrusions.  
 Make sure Wall Jambs #2 and Corner Post # 7 penetrate into Header #8.  
 Secure the header with few strips of masking tape. Later to be replaced with screws #11.  
 Set Wooden shims on the Threshold as is shown in Sketch 7A

9

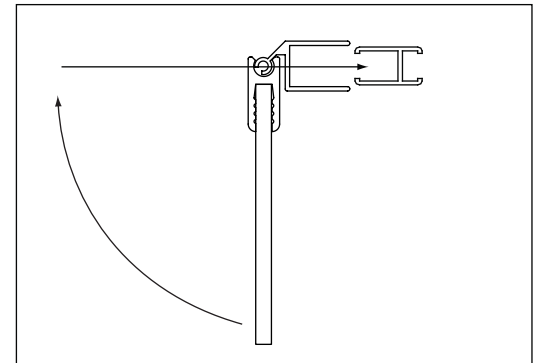
With Hinge Jamb# 16 in open position slide Hinge Jamb #16 over (**Sketch 9**)

Wall Jamb #2, close the door and set glass on wooden shims. (**Sketch 9**). Make sure that there is sufficient space between vertical extrusions for glass to fit. Secure the door position on Wall Jamb#2.

Slide Strike Jamb#13 over opposite Corner post #7. Adjust the width of the front opening by moving Hinge Jamb #16 and Strike Jamb #13 left and right. Make sure Door will swing freely without hitting any extrusion.



Sketch 9A



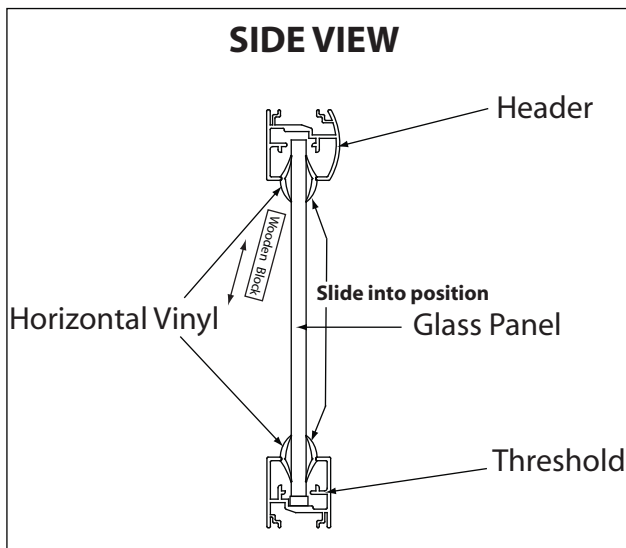
Sketch 9

10

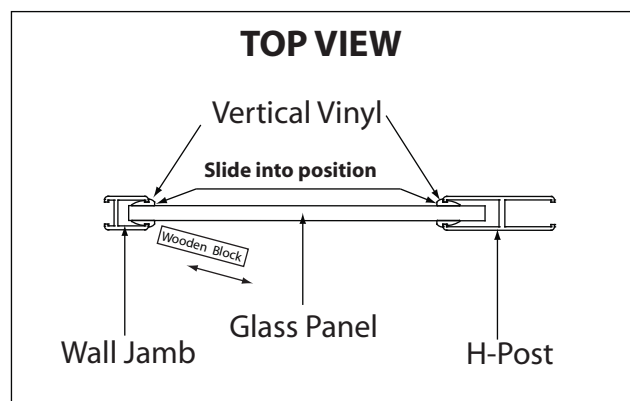
Remove Temporary 1" cuts of Glazing Vinyls.

Insert Horizontal Vinyl# 15 and vertical Vinyl # 14

as shown in **Sketch 10A and 10B** and tuck them in.

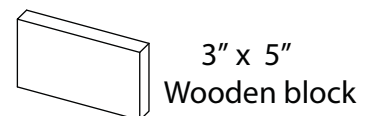


Sketch 10A



Sketch 10B

NOTE: A light spray of Glass Cleaner on the glass will help the vinyl slide into position. Flat square block of wood can be used to tap in vinyl.

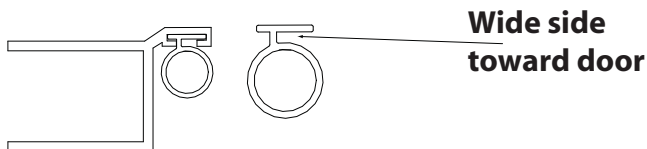
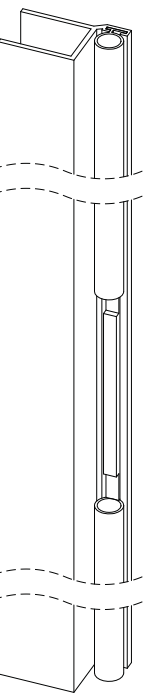


3" x 5" Wooden block



**11**

Install D-Handle And #9 Clamp-On Metal Pad.  
 Wrap Rubber Pad around the edge of Door Glass.  
 Positioned In The Middle Of Handle. Gently tap on #18 Clamp-on Metal Pad to Door Glass  
 Re-Adjust The Height of #10 Slide-In Magnet By Cutting #6 Bulb Seal.

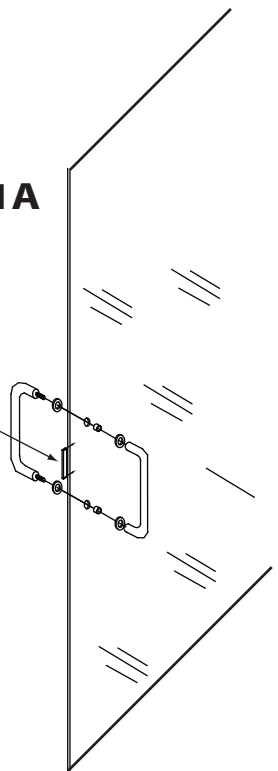


**Sketch 11B**

**Sketch 11A**

**Note: Take care when placing  
 Clamp on Door Magnet.**

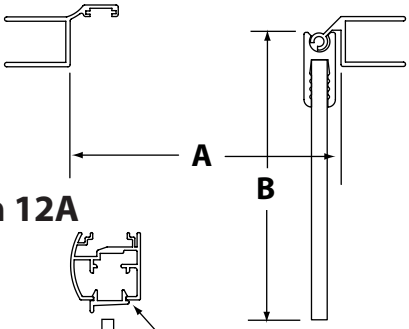
Position magnet #10 In the middle of Strike Jamb #13.  
 Measure the distance from magnet to top of Strike Jamb  
 and from Bottom of Magnet#10 to bottom of Strike Jamb #13.  
 Cut the Bulb Vinyls #6 to size. Slide Bottom Piece of  
 Bulb vinyl #6 into Strike Jamb #13 first, followed by  
 Magnet #10 and the top Piece of Bulb Vinyl #6.  
 Please note that off set on Bulb Vinyl must be directed  
 toward the door. See **SKETCH 11B** for details.



**12**

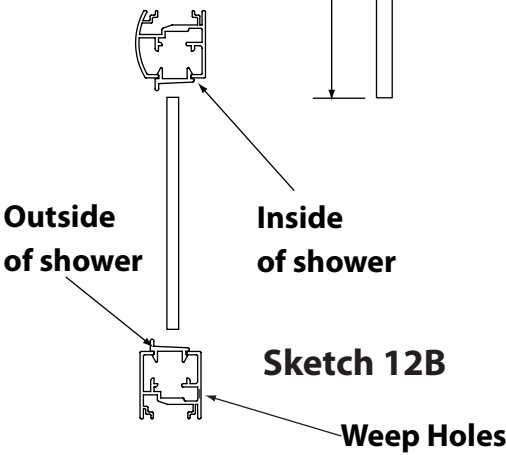
**Header and Threshold Inserts.**

With door glass in open position measure from Strike Jamb#13  
 to Hinge Jamb #16 as shown on **Sketch 12A (Size A)**.  
 Cut Inserts#12 to size. Insert one into Header#8 and Threshold#1.  
 See **Sketch12B** for details. Insert will snap into position when pushed with a slight angle.

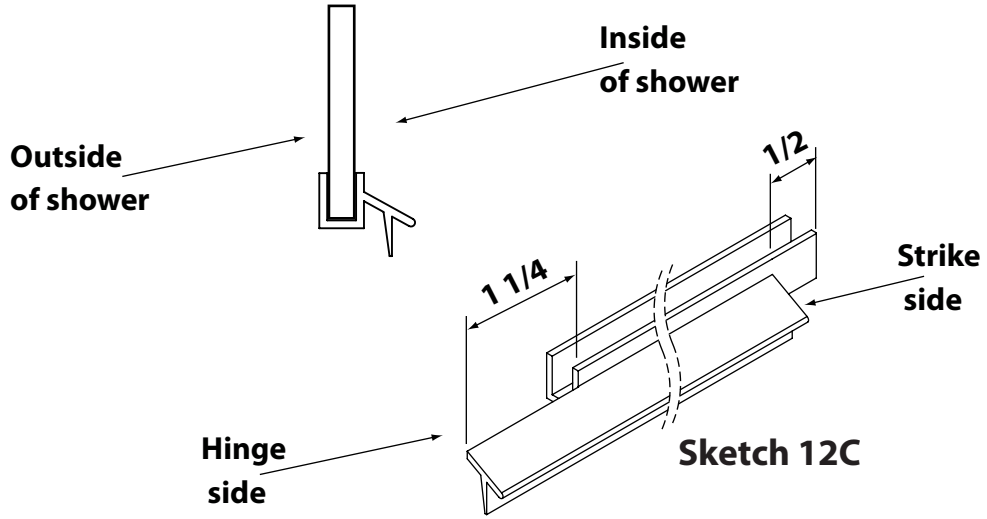


**Sketch 12A**

Measure from the Hinge Stile #19 to the edge of the door glass  
**Sketch 12A (Size B)**. Cut Deflector#17 to size. Notch Deflector#17 to fit  
 around the extrusions.  
 Slide Deflector #17 on the Bottom of the door as shown in **Sketch #12C**.



**Sketch 12B**



**Sketch 12C**

**13**

Apply Silicone Sealant as shown

It is essential that Silicone Sealant be applied to complete perimeter inside and outside as shown in **Sketch 13**. When applying silicone Sealant to threshold, it is important not to cover WEEP HOLES with Silicone Sealant to ensure proper drainage.

**Please note :** After applying Silicone Sealant, it must not be used for 24 hours to allow the sealant to set properly.

