



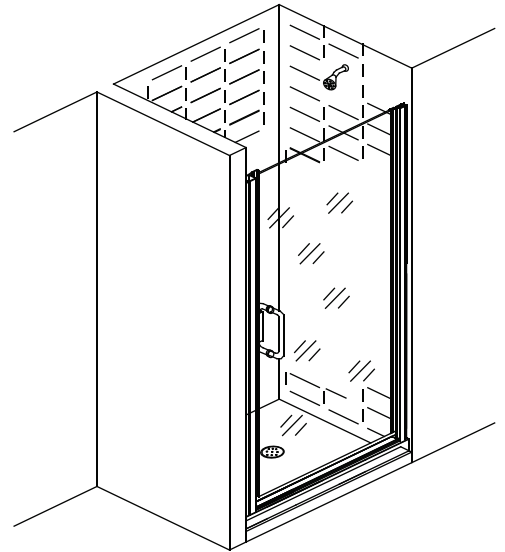
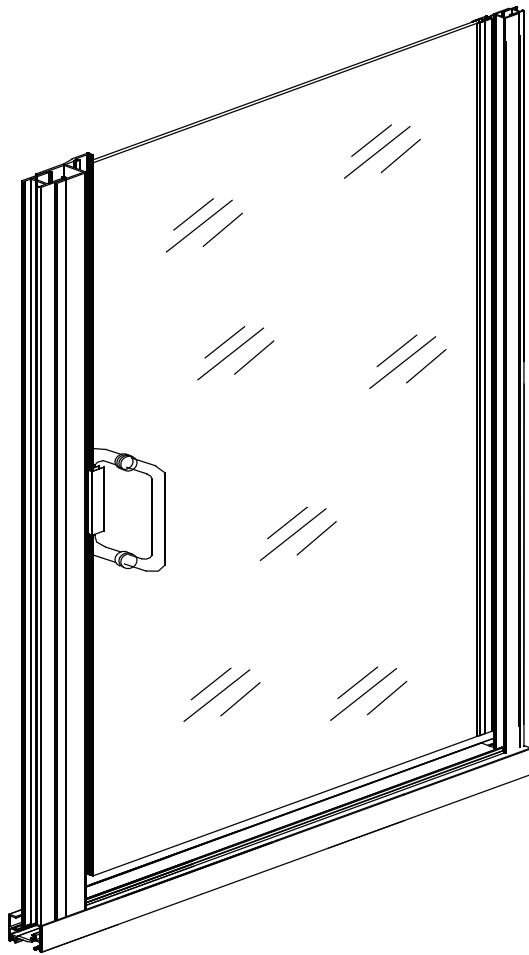
GLASSCRAFTERS INC.

GLASSCRAFTERS, INC.
193 Vetrans Blvd., Carlstadt, NJ 07072

1+ (888) 683-1362 (F) 1+(201) 525-1117
sales@glasscraftersinc.com

EPIC™ SERIES

Model Semi-Frameless Single Door Installation Instructions Model E-D



IF YOU NEED REPLACEMENT PARTS OR HAVE INSTALLATION QUESTIONS,
PLEASE CALL OUR CUSTOMER SERVICE REPRESENTATIVES.
INSTALLATIONS SHALL BE MADE ACCORDING TO MANUFACTURER'S INSTRUCTIONS AND DRAWINGS.
GLASSCRAFTERS RECOMMENDS THE INSTALLATION TO BE PERFORMED BY A TRAINED INSTALLER.

888-683-1362


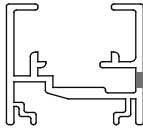
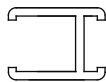
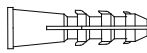


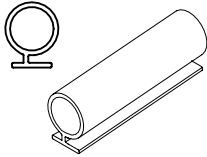

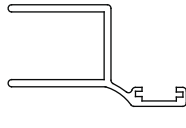
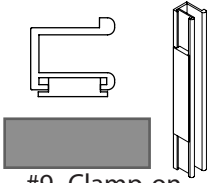
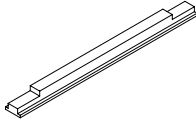
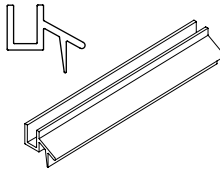
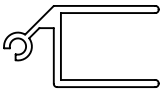

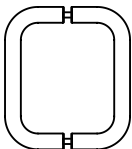
READ INSTRUCTIONS BEFORE STARTING INSTALLATION

Item No.	Description	Qty	Item No.	Description	Qty
#1	Threshold	1	#8	Strike Jamb	1
#1A	Threshold (Optional)	1	#9	Clamp-on Magnet pad	1
#2	Wall Jamb	2	#10	Slide in Magnet	1
#3	Anchors	6	#11	Deflector	1
#4	#8x1 1/2" Screws	6	#12	Hinge Jamb	1
#5	#8x7/16" Screws	6	#13	Hinge Stile	1
#6	Bulb Seal	2	#14	C-Pull Handle	1
#7	Header/T-Hold Inserts	2			

CAUTION: Risk of injury or product damage. Do not attempt to cut tempered glass.

IMPORTANT! Children should be supervised at all times while in Tub/Shower Enclosure.

IMPORTANT! Never use door handle to support yourself. This is for towels or wash cloths only.

 #1- Threshold	 #1A- Threshold (Optional)	 #2 -Wall Jamb	 #3- Anchors	 #4- #8x 1 1/2"	 #5- #8x7/16"
 #6- Bulb Seal	 #7- T-Hold Inerst Supplied with #1A Threshold	 #8- Strike Jamb	 #9- Clamp-on Metal Pad / rubber	 #10- Slide-in Magnet	 #11- Deflector
 #12- Hinge Jamb	 #13- Hinge Stile	 #14 - 6" D-pull			

Please Note:

- * Part #1A is Optional, for use in **SPECIAL CONDITIONS** - such as out of level base (must be pre-ordered, normaly is not included in package)
- * Parts #12, #13, #6, #10 and the Door Glass are pre-assembled in factory.
- * Part #14 - Included Standard 6" D-pull. Additional handles are available.
- * Part # 9 - Included in package with wrap around black rubber pad.
- * Please contact Customer Service with replacement parts requests. When ordering replacement parts, please specify the Model Number, Item Number & Part Description.
- * Save Installation Instructions For Future Reference And In The Event You Need To Order A Replacement Part.

PLEASE STOP THE INSTALLATION AND CONFIRM WITH FACTORY IF THE ACTUAL NUMBER OR TYPE OF PARTS IS DIFFERENT.

Tools Required - For installation of Your Shower Enclosure:

A - Safety glasses.

B - Measuring tape.

C - Pencil.

D - Hacksaw
(with 32 teeth per inch blade).

E - Miter Box or Square.

E* - Chop saw with carbide
Tooth blade.

F - Level.

G - Electric Drill.

H - Center Punch

I - Drill bit, 1/8"
(for installation on a
fiberglass enclosures)

I* - Drill bit, 3/16" masonry
(for installation on ceramic
tiles or marble)

J - Drill Bit #29, for drilling
screws #5.

K - Power screwdriver

L - #2 Phillips screwdriver

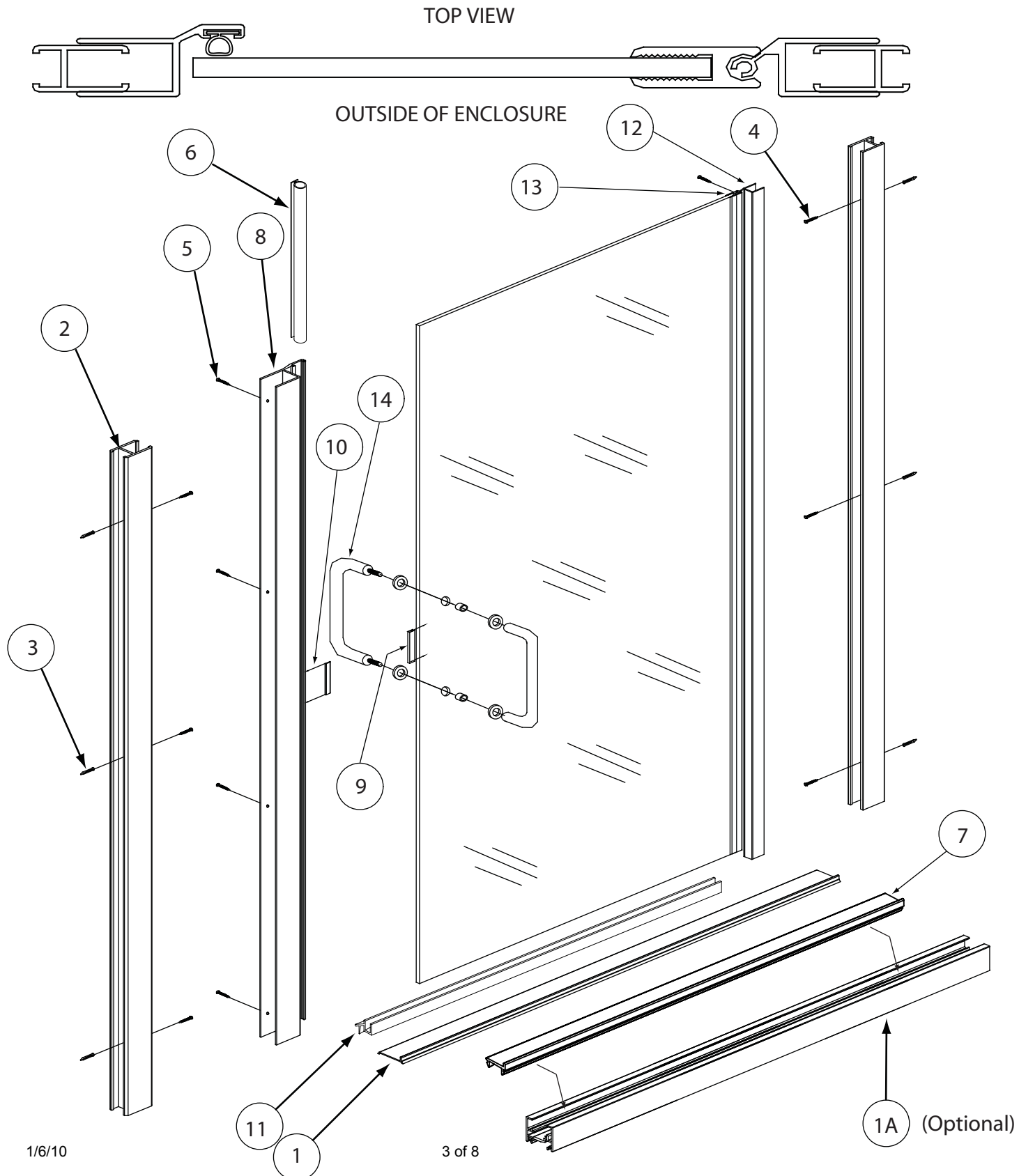
M - Caulking gun

N - Block of wood or
Glazing block

O - Wooden shims

P - Silicone

Q - Masking Tape



Installation Instructions for GlassCrafters Semi-Frameless Singe Door

IMPORTANT: Read all instructions carefully and become familiar with all parts before installation.

Unpacking: Care should be taken unpacking your Shower Enclosure. Place the Glass Panels in an upright, Safe location to avoid damage. Never place glass directly on hard surface.

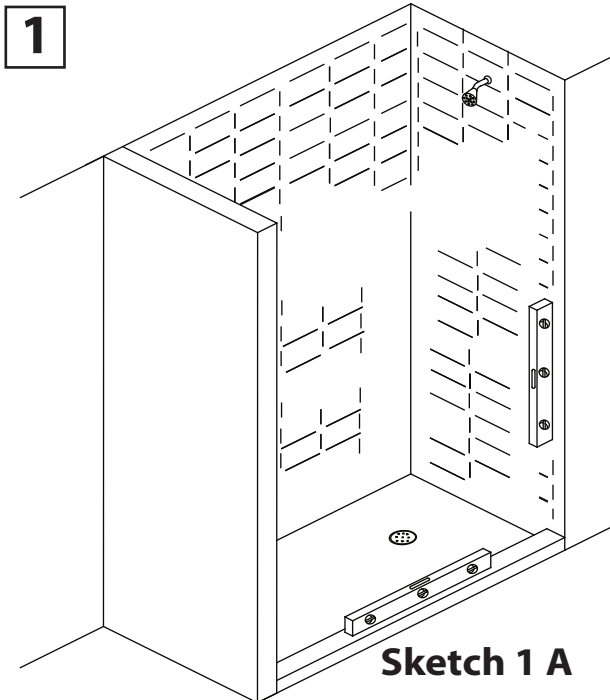
A Box cutter should not be used to open box.

Please remove all staples from the box prior to unpacking metal and glass.

Cleaning: Never use scouring powder, pads or sharp instruments on metal work or glass panels. We recommend the use of a squeegee after each shower to eliminate water spots on the inside of the glass panels.

An occasional wiping down of the glass panels and anodized aluminum parts with a mild detergent, diluted in water, is all that is needed to keep your Shower /Tub Enclosure looking brand new.

Please Note; this Shower Enclosure Door ONLY swings outward. Be sure to allow room for the door to open.

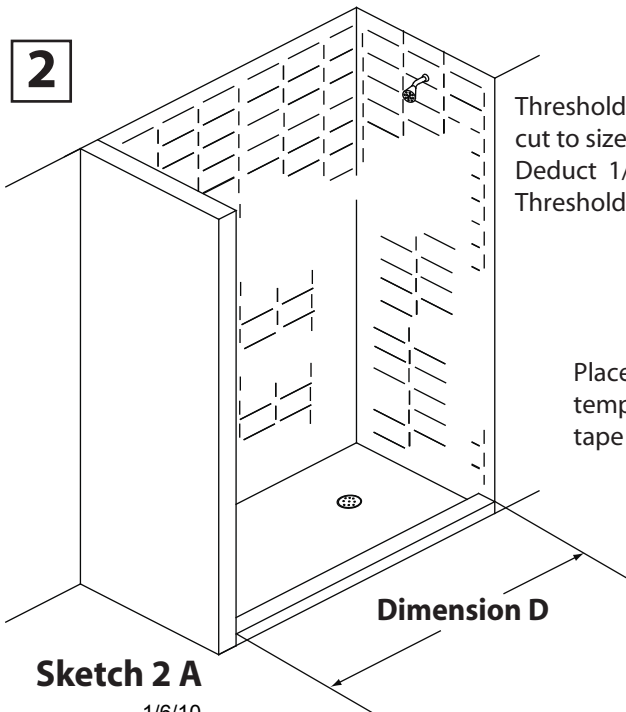


Determine if your Tub/Shower Stall Enclosure ledge is Level & Walls are plumb as shown in Sketch 1A.

If they are out of level/Plumb, by more than 1/4", STOP and call Customer Service.

A Base filler and /or Wall Jamb Filler is recommended for obtaining proper adjustment. Both are available through Customer Service.

Sketch 1 A



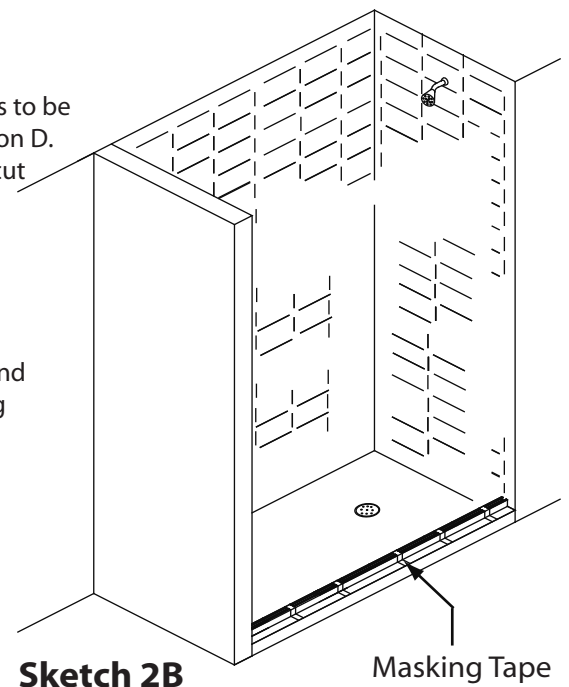
Threshold (1) is left oversized and needs to be cut to size. See **Sketch 2 A** for Dimension D. Deduct 1/16" off of Dimension D and cut Threshold to size.

Place Threshold #1 into position and temporarily secure it with masking tape as shown in **Sketch 2B**

Dimension D

Sketch 2 A

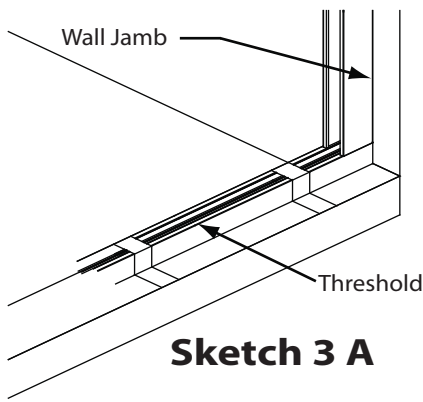
1/6/10



Sketch 2 B

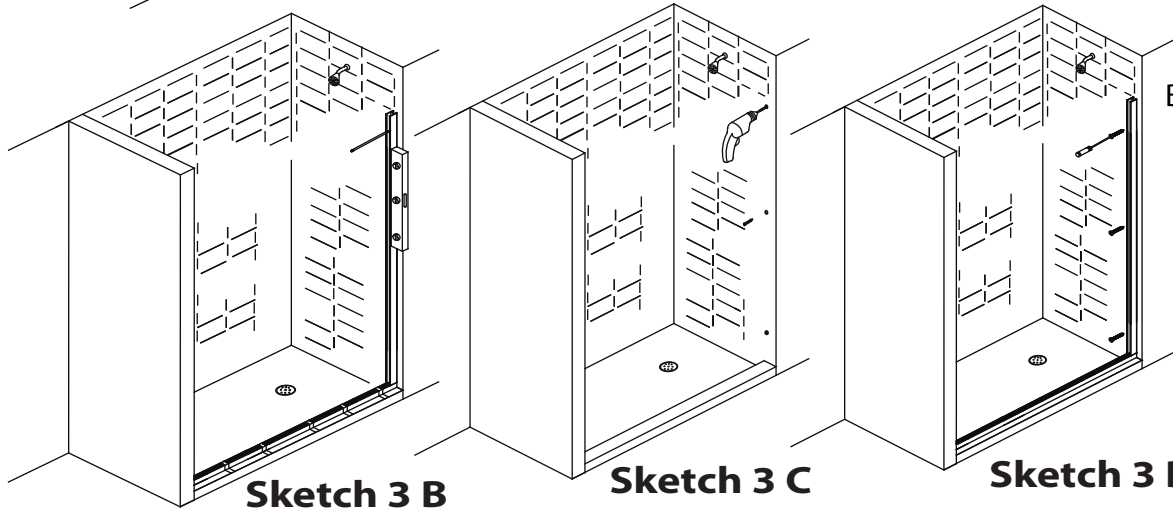
Masking Tape

3



Sketch 3 A

Carefully position the Wall Jamb into the Threshold, as shown in **SKETCH 3A**. Be careful not to move the temporary position of the Base. Use a level to plumb the Wall Jambs, as shown in **SKETCH 3B**. Mark the three mounting hole locations for each Wall Jamb. Remove Wall Jambs and Threshold. Drill marked mounting holes and insert wall anchors as shown in **Sketch 3 C**. Apply a generous amount of Silicone to underside of Threshold and in each corner to prevent Water leakage. Clear the Base of any dust or Tile Particles and Place Threshold into position. Insert Wall Jambs into Threshold and secure them to the walls with screws # 4 as shown in **Sketch 3D**

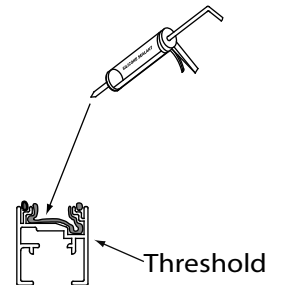


Sketch 3 B

Sketch 3 C

Sketch 3 D

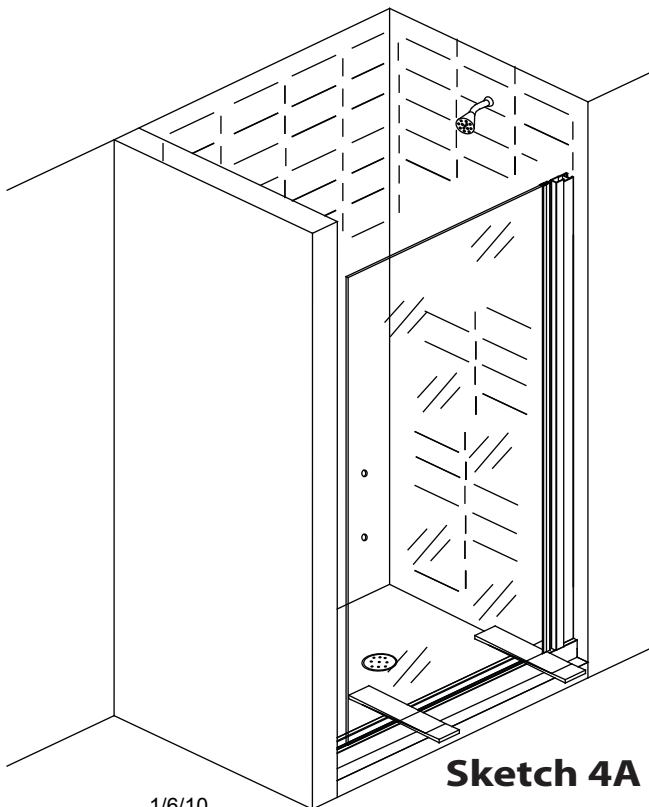
Bottom of Threshold is Facing Up



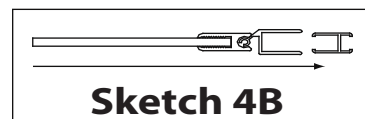
Sketch 3 E

4

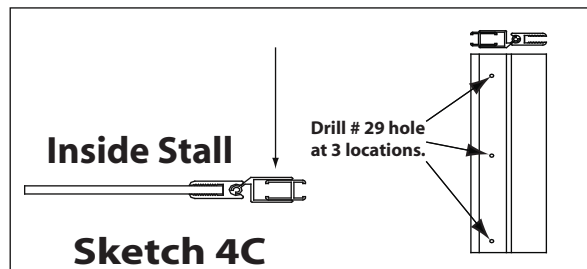
Position the Door Panel # 10 onto shims making sure door panel is level and plumb as shown in **Sketch 4A**. Be careful not to chip or strike the glass edges. Glass can brake if edges are not handled properly. Carefully slide Door Panel # 10 over Wall Jamb # 2 as shown in **Sketch 4B**. Using drill bit # 29 Drill holes into Wall Jamb # 2 at 3 locations provided from inside stall as shown in **Sketch 4C**. Insert screws provided # 9 at 3 locations from inside stall as shown in **Sketch 4D**.



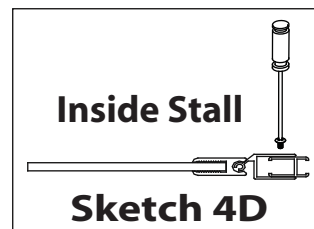
Sketch 4A



Sketch 4B



Sketch 4C



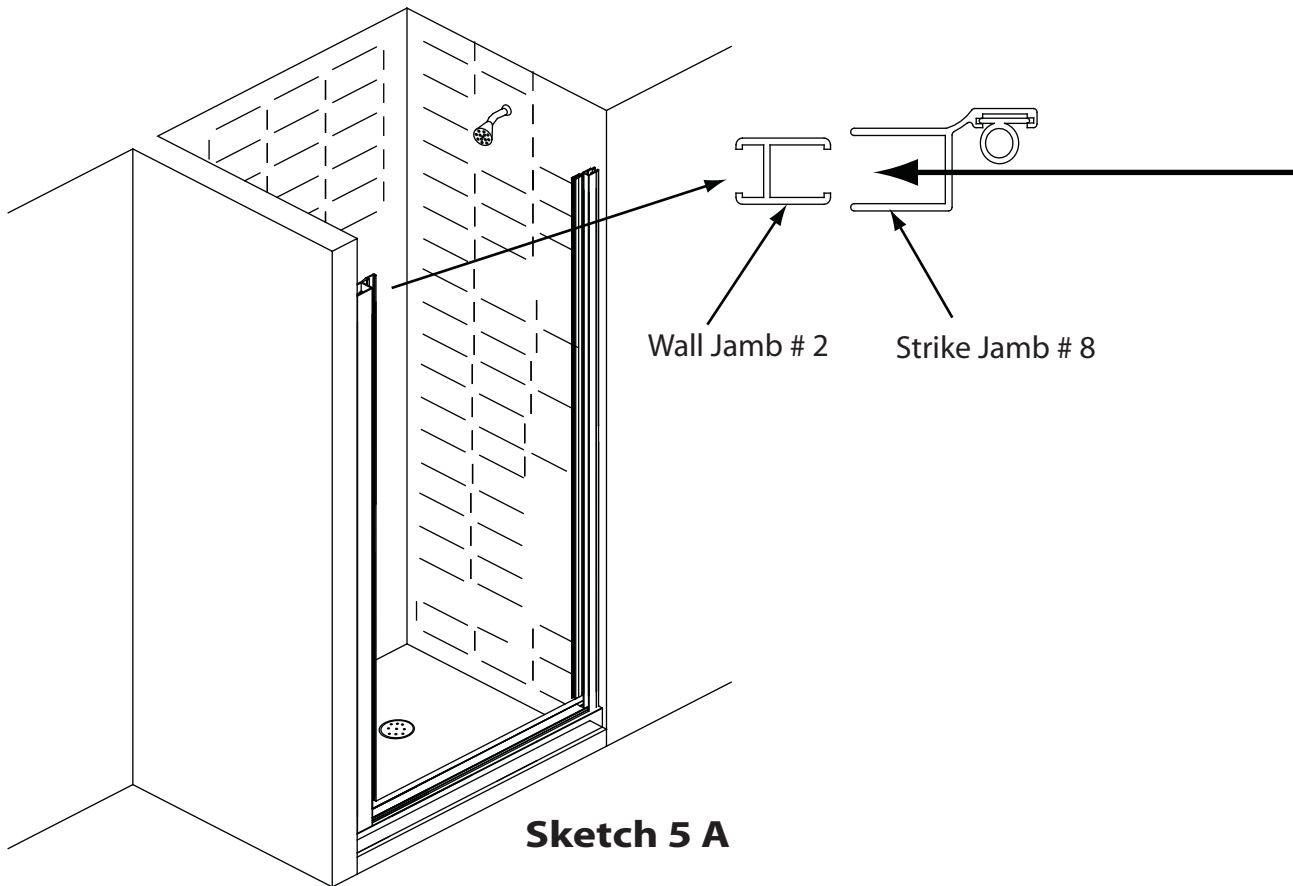
Inside Stall

Sketch 4D

5

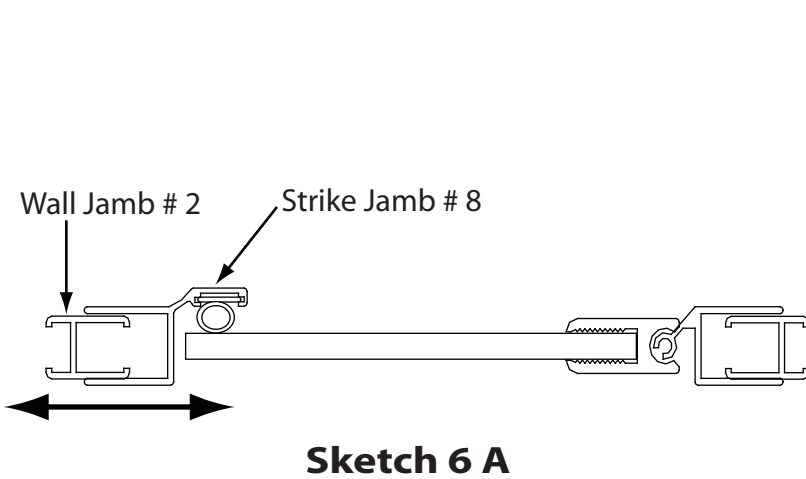
Please Note: Door not shown for Clarity.

Slide Strike Jamb # 8 over Wall Jamb # 2 as shown in **Sketch 5 A**.

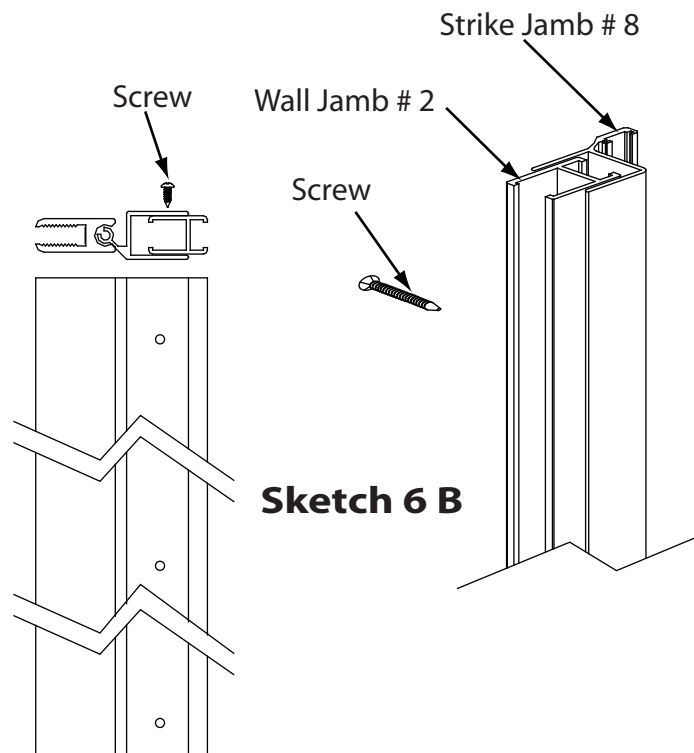


Sketch 5 A

6 Close Door And Make Any Adjustments Needed To Insure A Proper Fit As Shown In **Sketch 6 A**.
Insert Screws #5 As Shown In **Sketch 6 B**.



Sketch 6 A

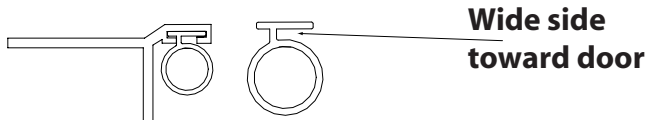
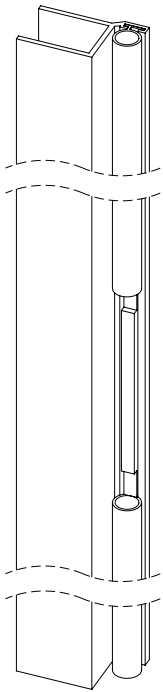


Sketch 6 B

BACK VIEW

7

Install D-Handle And #9 Clamp-On Metal Pad.
Wrap Rubber Pad around the edge of Door Glass.
Positioned In The Middle Of Handle. Gently tap on #9 Clamp-on Metal Pad to Door Glass
Re-Adjust The Height of #10 Slide-In Magnet By Cutting #6 Bulb Seal.

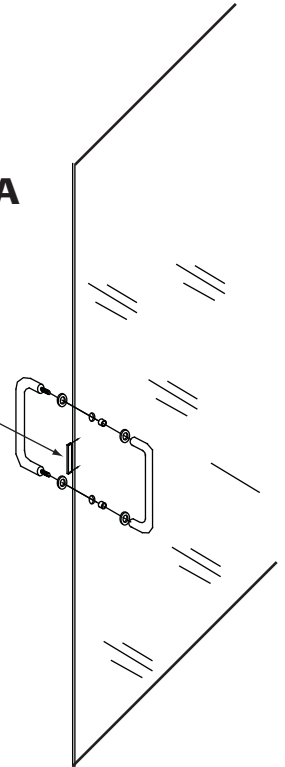


Sketch 7B

Wide side
toward door

Sketch 7A

Note: Take care when placing
Clamp on Door Magnet.



Position magnet #10 In the middle of Strike Jamb #13.
Measure the distance from magnet to top of Strike Jamb
and from Bottom of Magnet#10 to bottom of Strike Jamb #13.
Cut the Bulb Vinyls #6 to size. Slide Bottom Piece of
Bulb vinyl #6 into Strike Jamb #13 first, followed by
Magnet #10 and the top Piece of Bulb Vinyl #6.
Please note that off set on Bulb Vinyl must be directed
toward the door. See **SKETCH 7B** for details.

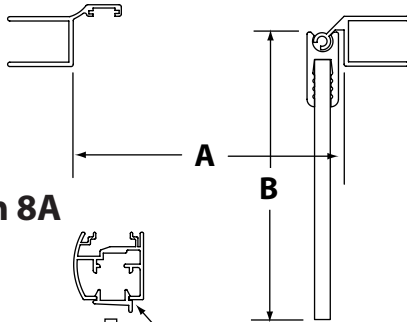
8

Threshold Insert (if #1a optional Treashold is used)

With door glass in open position measure from Strike Jamb#8
to Hinge Jamb #12 as shown on **Sketch 8A (Size A)**.

Cut Inserts#7 to size. Insert one into Threshold#1.

See **Sketch 8B** for details. Insert will snap into position when pushed with a slight angle.



Sketch 8A

Deflector

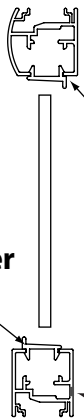
Measure from the Hinge Stile #19 to the edge of the door glass.

Sketch 8A (Size B). Cut Deflector#17 to size. Notch Deflector#17 to fit
around the extrusions.

Slide Deflector #17 on the Bottom of the door as shown in **Sketch #8C**.

Outside
of shower

Inside
of shower

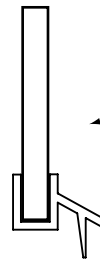


Sketch 8B

Weep Holes

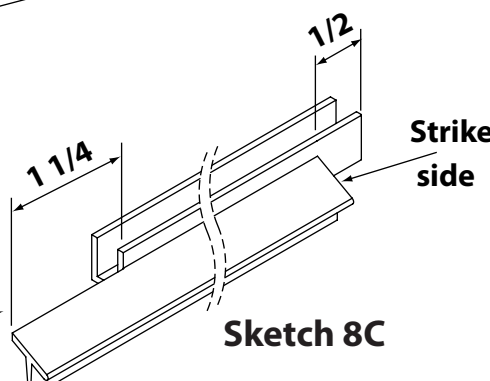
#1 A Threshold
(optional)

Outside
of shower



Inside
of shower

Hinge
side



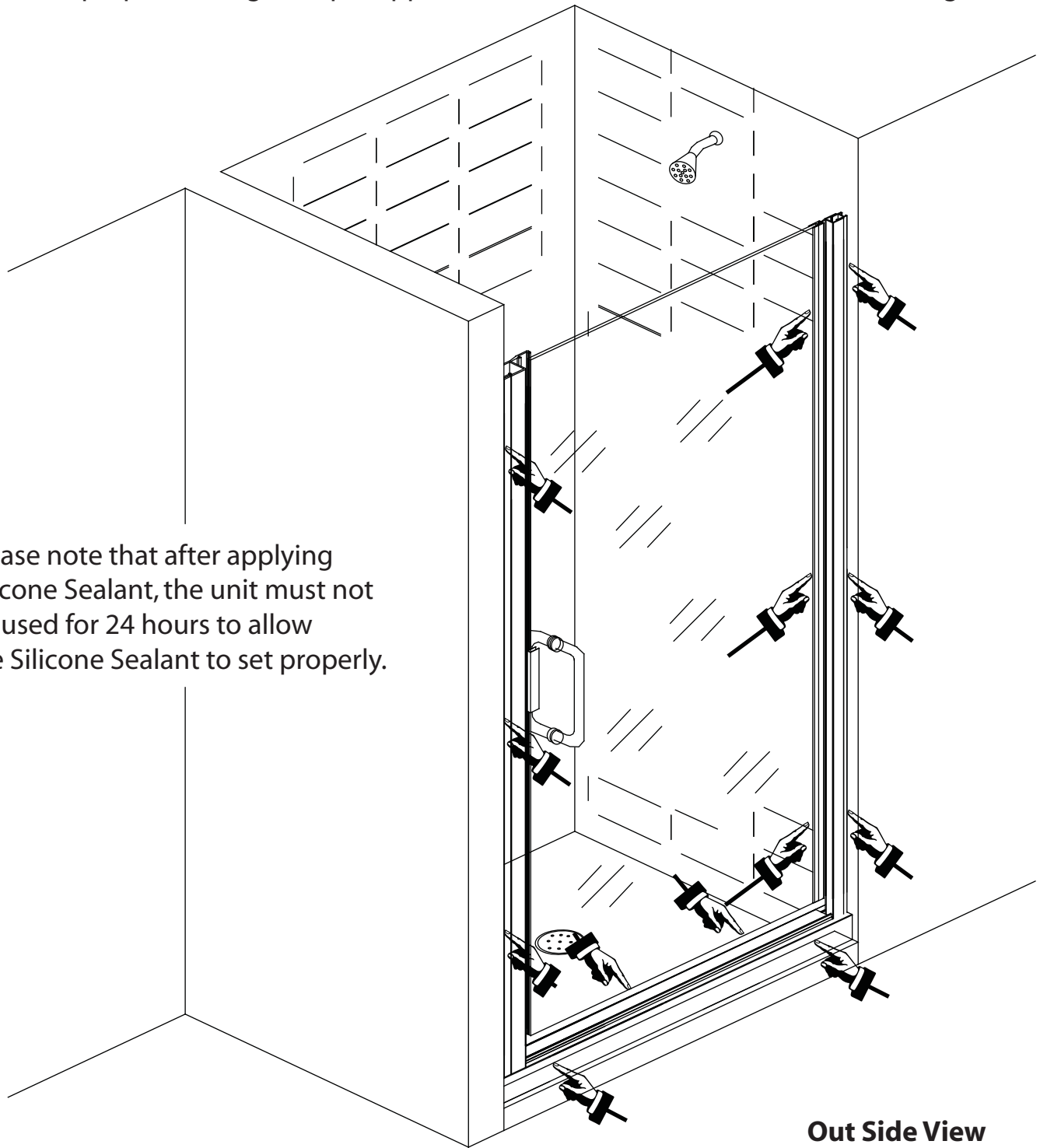
Sketch 8C

9

Apply Silicone Sealant as shown

It is essential that Silicone Sealant be applied to complete perimeter Inside and outside as shown in **Sketch 9 A**

When applying Silicone Sealant to threshold, it is important not to cover WEEP HOLES (Provided) with Silicone Sealant to ensure proper drainage. Proper application of silicone will Prevent Water Leakage.



Please note that after applying Silicone Sealant, the unit must not be used for 24 hours to allow the Silicone Sealant to set properly.

Sketch 8 A