



GLASSCRAFTERS, INC  
193 Veterans Blvd., Carlstadt, NJ 07072

1+(800) 233-7362 (F) 1+(888) 233-7362  
sales@glasscraftersinc.com

GLASSCRAFTERS INC.

## 3X Magnification Mirror Installation Instructions

INSTALLATION IS INTENDED FOR THE INSIDE FACE OF THE MİRRORED DOOR.

We realize that the marketplace offers many choices and we thank you for selecting GlassCrafters for your Mirrored Cabinet needs.

The following instruction sheet is for the installation of a 3X Magnification Mirror, which is an accessory for ALL MODEL Mirrored Cabinets.



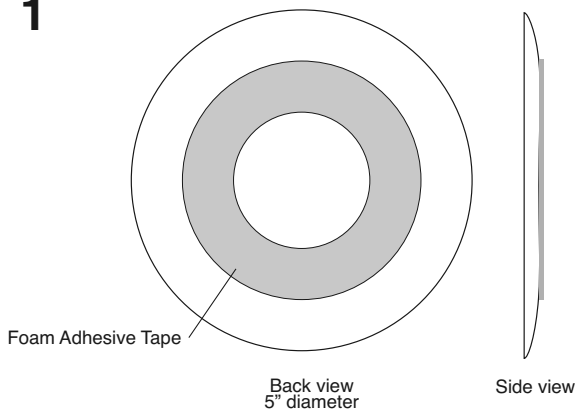
- **DO NOT install this Magnification Mirror without homeowner's approval. The mirror cannot be moved once fixed to surface.**
- **DO NOT remove peel-off paper covering the adhesive tape on the back of magnification mirror until ready to install.**
- **Instructions for locating Magnification Mirror on cabinet's inner mirror door are on the back of this sheet.**

**SAVE THESE INSTRUCTIONS FOR FUTURE REFERENCE**

Please use extreme care while unpacking and handling your GlassCrafters' Mirror Accessories. Report any damage immediately to our GlassCrafters' customer service team at 800-233-7362, Monday thru Friday from 8:00 am to 5:00 pm (EST).

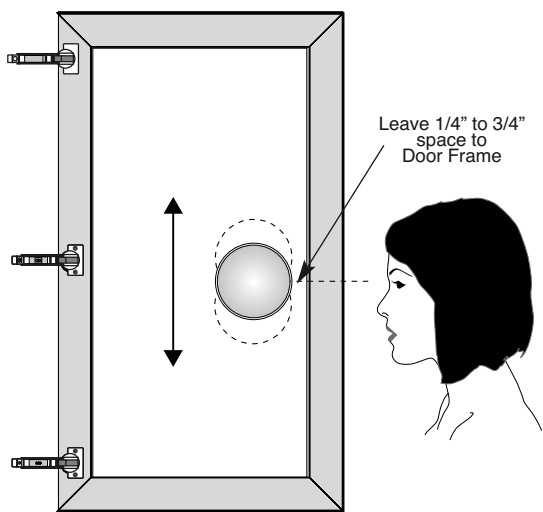
Revised 05/2016

1



1. **Do not** remove peel-off paper covering the adhesive tape on back of mirror.

2



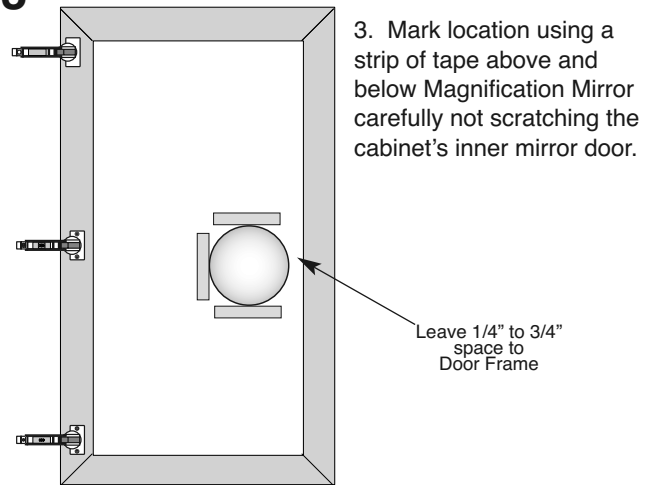
**DO NOT** install this Magnification Mirror without homeowner's approval.

2. Facing the cabinet's inner mirror door, align 3X Magnification Mirror with inside edge of door frame **opposite hinges and at the homeowner's desired height.**

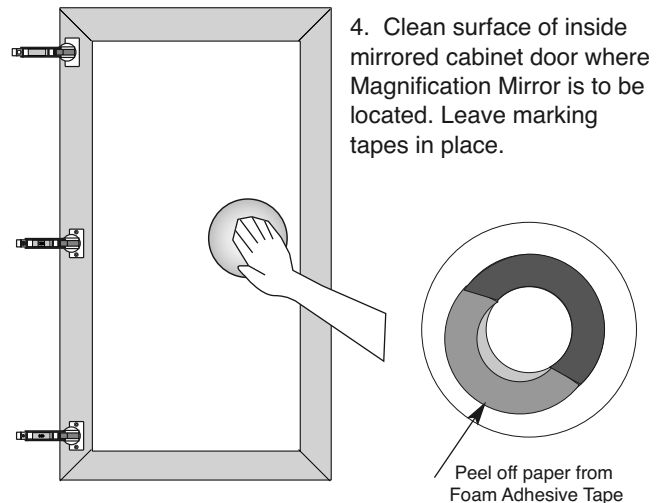
Mirror can be placed on left or right hinged door.

Be certain to leave clearance between door frame and magnification mirror edge -- 1/4" to 3/4" -- for ease in cleaning.

3



4



**The mirror cannot be moved once fixed to surface.**

When ready to install, remove peel-off paper from adhesive tape on back of Magnification Mirror and attach to the cabinet's inner mirror door surface at marked location. Press firmly on the center of the Magnification Mirror to insure adhesion. Remove marking tapes. Allow to cure for 24 hours before cleaning.

**Cleaning Recommendations:**

**Never use abrasive cleaners or cleaners containing ammonia. This may cause chemical damage to the mirror and void the warranty.**

For cleaning the mirror, we recommend using ammonia free Sprayway brand glass cleaner, which is available at a variety of retail outlets.

[www.spraywayinc.com/content/glass-cleaner](http://www.spraywayinc.com/content/glass-cleaner)



GLASSCRAFTERS INC.

GLASSCRAFTERS, INC  
193 Veterans Blvd., Carlstadt, NJ 07072

1+(800) 233-7362 (F) 1+(888) 233-7362  
sales@glasscraftersinc.com

Revised 05/2016